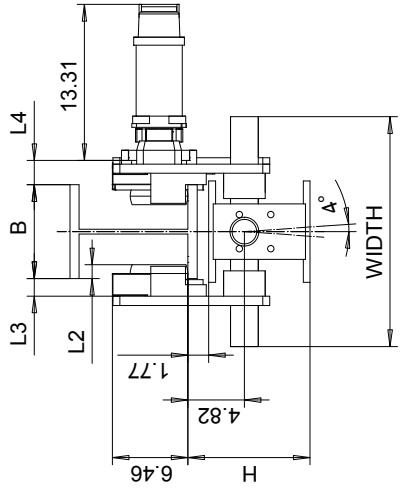
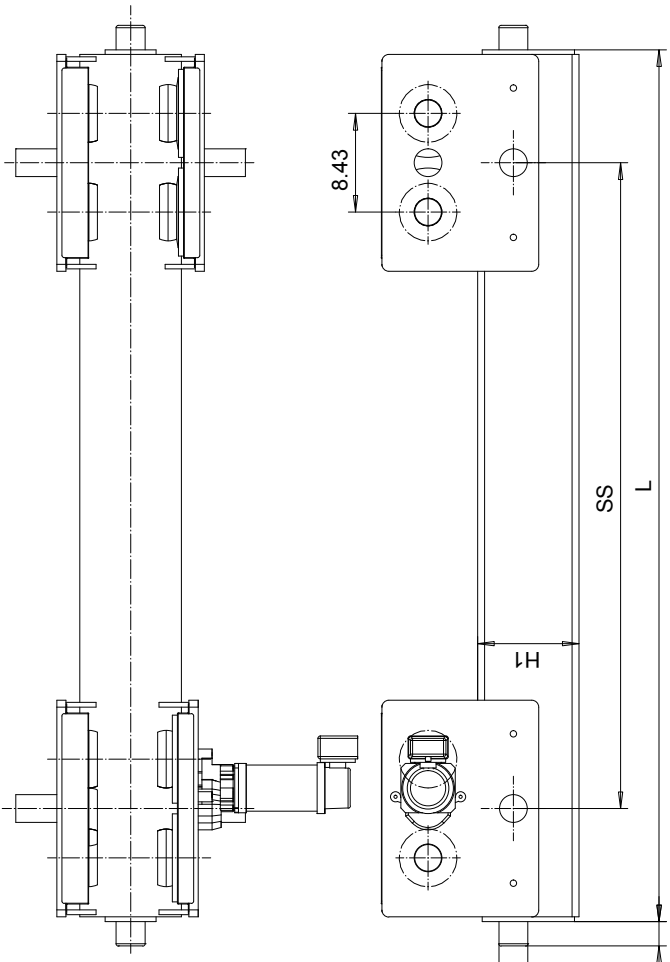


This document is the absolute property of R&M Materials Handling, Inc. This document must not be copied without the written permission of R&M Materials Handling, Inc. The contents thereof must not be disclosed to a third party nor be used for any unauthorized purpose. Contention will be prosecuted.

RU13 UNDER RUNNING END TRUCK

Buffer type	L1	Ø
A	2 1/4"	2 1/2"
B	2 11/16"	3 3/16"
C	3 5/16"	3 15/16"
D	4 1/8"	4 15/16"
E	5 15/16"	3 15/16"
F	7 1/2"	4 15/16"
G	4"	4"
K	3 3/16"	3 3/16"
M	4 15/16"	4 15/16"
A, B, C, D rubber		
E, F, G, K, M polyurethane		

Flange width range, B	L2	L3	L4	WIDTH
3 15/16" - 7 1/16"	1.42"	1.26"	2.06"	16 1/2"
7 1/8" - 10 3/16"	1.42"	1.26"	2.06"	19 5/8"
10 1/4" - 13 1/2"	1.42"	1.26"	2.06"	22 3/4"
2 1/2" - 5 5/8" patented trk	0.78"	1.97"	2.76"	16 1/2"
5 11/16" - 8 3/4" patented trk	0.78"	1.97"	2.76"	19 5/8"



Wheelbase code	Wheelbase	Max Dyn. Corner Load (kips)	L	Approx. Wt. (lbs)	H	H1
12	3'-11 1/4"	18.1	5'-6 9/16"	662	10 7/16"	8 5/8"
14	4'-7 1/8"	18.1	6'-2 7/16"	693	10 7/16"	8 5/8"
18	5'-10 7/8"	18.1	7'-6 3/16"	757	10 7/16"	8 5/8"
23	7'-6 9/16"	18.1	9'-1 7/8"	833	10 7/16"	8 5/8"
28	9'-2 1/4"	18.1	10'-9 1/2"	999	11 1/4"	9 7/16"
32	10'-6"	16.2	12'-1 1/4"	1071	11 1/4"	9 7/16"
35	11'-5 13/16"	14.6	13'-1 1/16"	1127	11 1/4"	9 7/16"

Pos	Description	Specification	Id	Drawing
EITP/PA	Design	EITP/PA	Chd	Appd
2008-08-11	Date	END TRUCK		Ref Drawing
SLEDDOCV	Part	OUTLINE DRAWING		
		RU13		
		RU13 END TRUCK		

R&M MATERIALS HANDLING, INC.
 1000 W. 10TH STREET
 MINNEAPOLIS, MN 55408
 612-835-1000

1.7
 0013
 4/2012