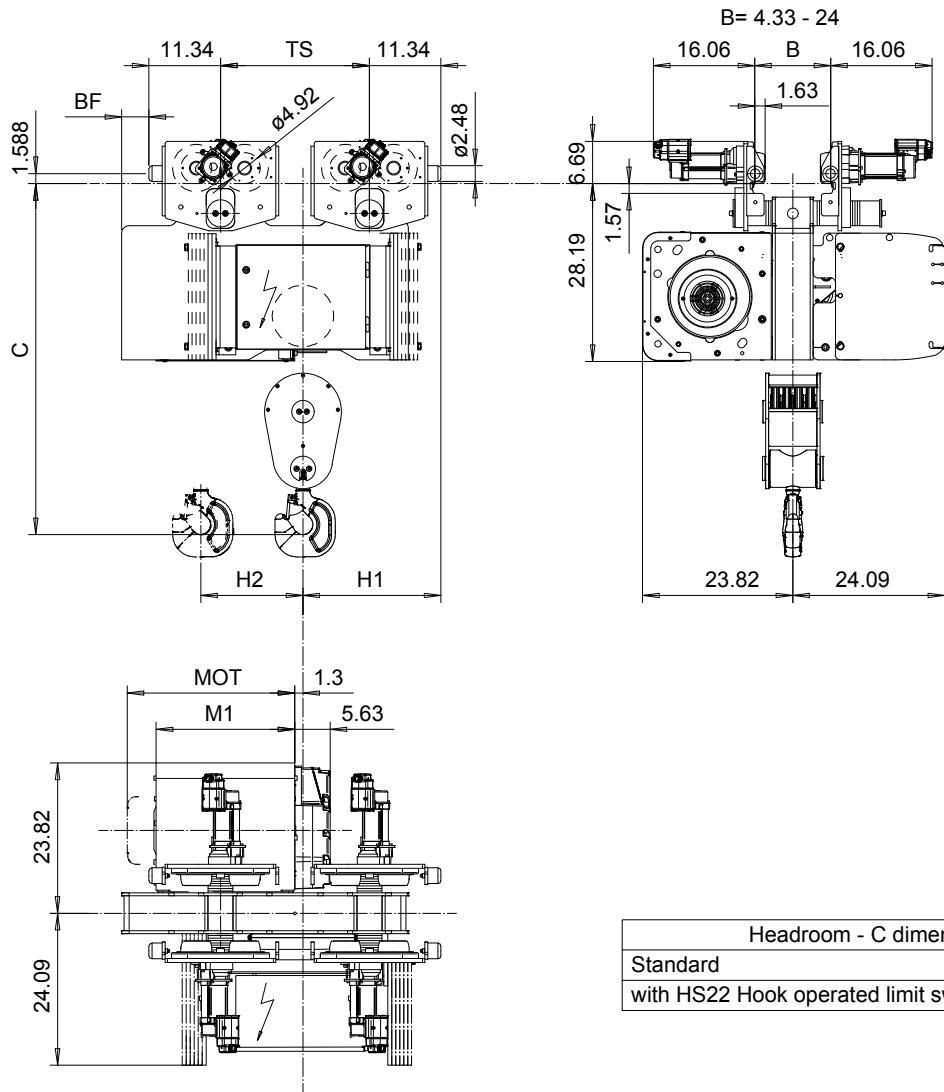


NORMAL HEADROOM, 8 PART SINGLE
Hoist type:
SX5 081...N0

US-60Hz



Headroom - C dimension	
Standard	55.63"
with HS22 Hook operated limit switch	57.63"

Motor	P5	P6	P7	A5	S5	S7
MOT (in)	22.76	22.76	24.33	19.61	23.86	29.8
Weight (lb)	128	187	231	99	117	179

Load (TON)	Class ASME
15	H4
20	H3

HOL	Length code	M1 (inch)	BF (inch)	TS (inch)	H1 (inch)	H2 (inch)	Approx. Weight (lb)
14'-9"	D	21.97	4.33	23.62	21.89	1.73	2293
19'-8"	E	26.69	4.33	23.62	21.89	2.2	2337
26'-2"	F	32.6	14.57	28.35	23.46	2.99	2535
32'-9"	G	40.08	14.57	28.35	23.46	3.86	2668

Approx. Weight calculated with P5 motor.

This document is the absolute property of R&M Materials Handling, Inc. This document must not be copied without the written permission of R&M Materials Handling, Inc. The contents thereof must not be disclosed to a third party nor be used for any unauthorized purpose. Contravention will be prosecuted.

ETVPH	ETVPH	Appr.	Ref Drawing	QC-N-08
Design	Date	TROLLEY; NORMAL HEADROOM		1:13
2005-08-26		8 ROPE FALLS		
SLEQDQCV	QC-N-08	D007208-A		Folder
R&M MATERIALS HANDLING INC.	R&M MATERIALS HANDLING, INC. HOIST & CRANE PRODUCTS SPRINGFIELD, OHIO			Issue
				1