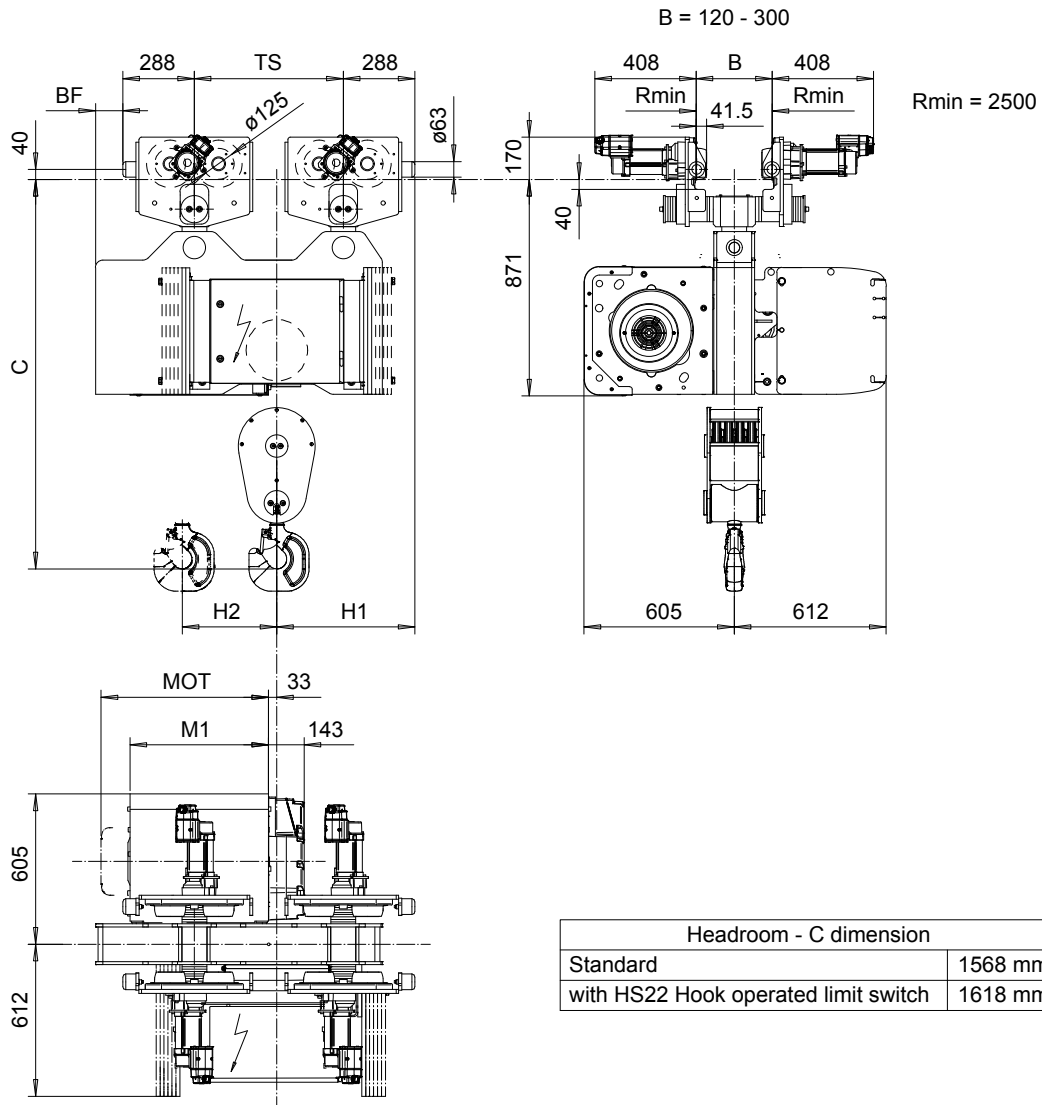


NORMAL HEADROOM, CURVED TRACK, 8 PART SINGLE

Hoist type:

SX5 081...N0

SI-50Hz



Headroom - C dimension	
Standard	1568 mm
with HS22 Hook operated limit switch	1618 mm

Load (kg)	Class Fem/ISO
16000	2m/M5
20000	1Am/M4

Motor	P5	P6	P7	A5	S5	S7
MOT (mm)	578	578	618	498	606	757
Weight (kg)	58	85	105	45	53	81

HOL (m)	Length code	M1 (mm)	BF (mm)	TS (mm)	H1 (mm)	H2 (mm)	Approx. Weight (kg)
4.5	D	558	110	600	556	44	1120
6	E	678	110	600	556	53	1170
8	F	828	370	720	596	76	1260
10	G	1018	370	720	596	98	1315

Approx. Weight calculated with P5 motor.

This document is the absolute property of R&M Materials Handling, Inc. This document must not be copied without the written permission of R&M Materials Handling, Inc. The contents thereof must not be disclosed to a third party nor be used for any unauthorized purpose. Contravention will be prosecuted.

ETVPH	ETVPH	Appr.	Ref Drawing	QC-N-08
Design	TROLLEY; NORMAL HEADROOM			
Date	2005-08-26			
SLEQDQCV	CURVED TRACK, 8 ROPE FALLS			
Rev. Desc.	1:13			
R&M MATERIALS HANDLING INC.	Folder			
R&M MATERIALS HANDLING, INC HOIST & CRANE PRODUCTS SPRINGFIELD, OHIO	Issue			
D007209-A	1			