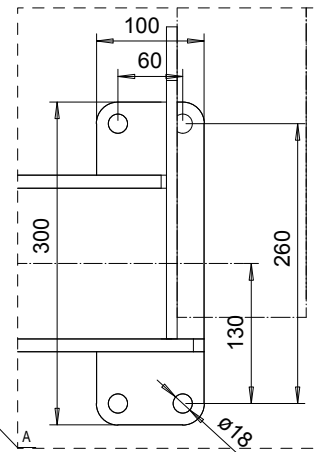
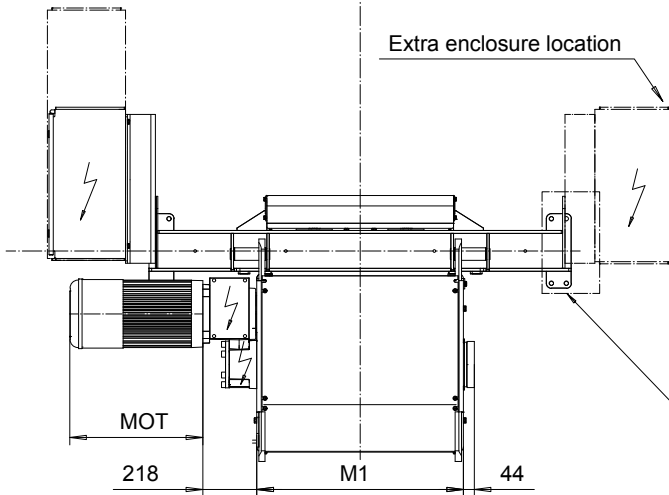
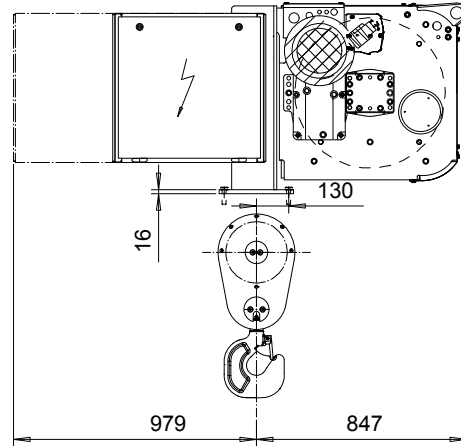
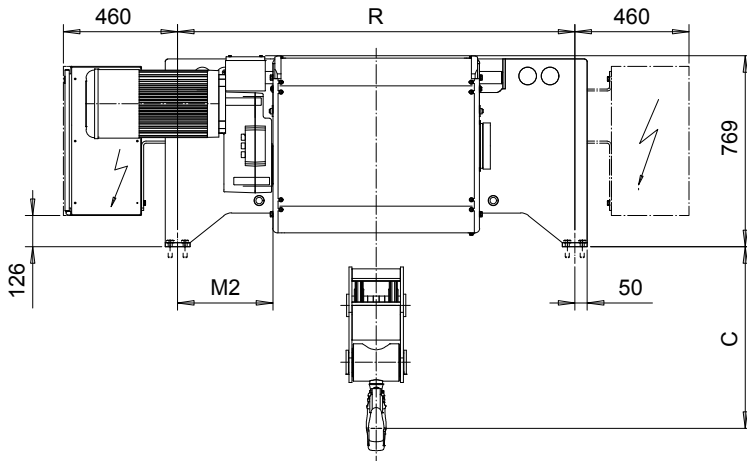


**FOOT MOUNT, 2 PART DOUBLE**

Hoist type:

**SX6 022...F0**

**SI-50Hz**



HOL (m)	HOL* (m)	Length code	R (mm)	M1 (mm)	M2 (mm)	Approx Weight (kg)
15	8.5	E	1600	682	459	1200
21	14.5	F	1600	832	384	1300
28.5	22	G	1600	1022	289	1300
38	31.5	H	2200	1272	464	1500
51.5	45	J	2200	1622	289	1600
63.5	57	K	2250	1922	164	1800
77	70.5	L	2250	2272	-10	2000
87	80.5	M	2800	2522	139	2200
98.5	92	N	2800	2822	-10	2300

HOL\* with optional drum brake Weight of drum brake is 80 kg.

Motor	P6	P7	P8	A7	S7	S8	SA
MOT (mm)	536	576	711	536	715	763	803
Weight (kg)	85	105	106	71	81	97	120

Load (kg)	Class Fem/ISO
6300	3m/M6
8000	2m/M5
10000	1Am/M4

Headroom - C dimension	
Standard	731 mm
with HS22 Hook operated limit switch	781 mm

Hoist weight calculated with P6 motor weight and without drum brake.

This document is the absolute property of R&M Materials Handling, Inc. This document must not be copied without the written permission of R&M Materials Handling, Inc. The contents thereof must not be disclosed to a third party nor be used for any unauthorized purpose. Contravention will be prosecuted.

ETTPAL Design	KHHMKH	Appd	Ref Drawing	1-13 Folder
2002-09-03 Date	HOIST; FIXED			
SLEQDOCV Owner Dept	2x2 ROPE FALLS			Issue 2/2016
R&M MATERIALS HANDLING INC.	R&M MATERIALS HANDLING, INC HOIST & CRANE PRODUCTS SPRINGFIELD, OHIO	D006940-A		