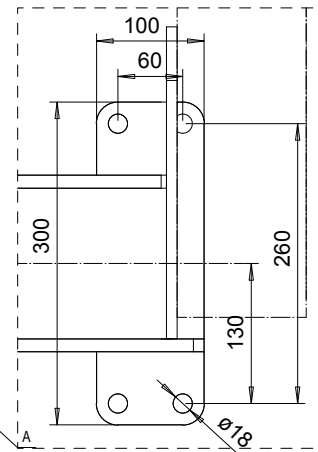
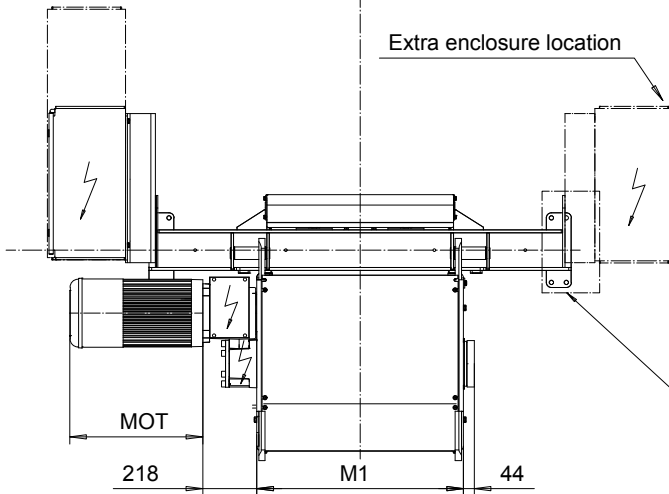
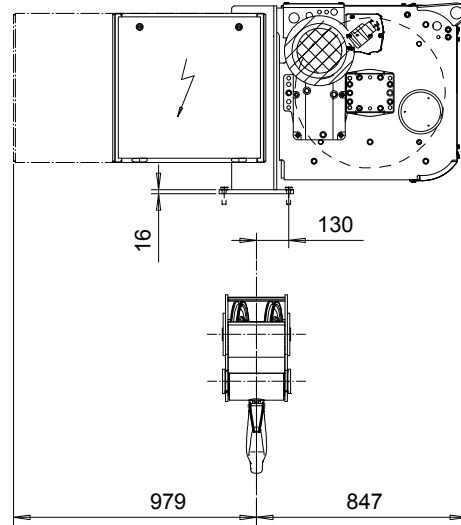
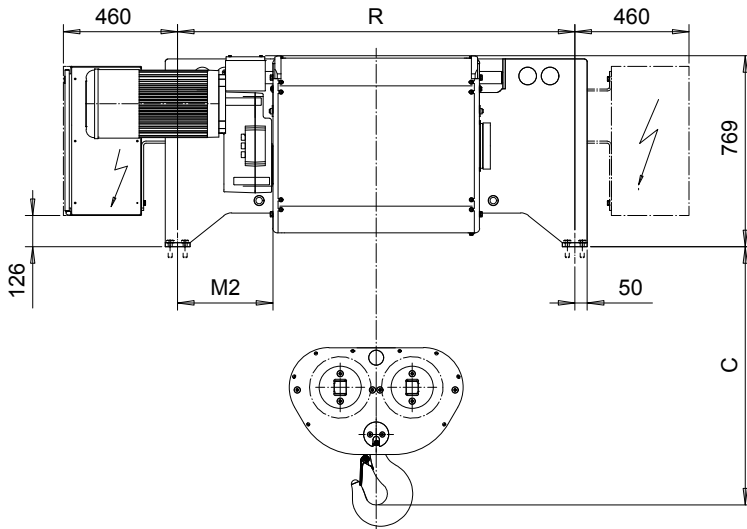


# FOOT MOUNT, 4 PART DOUBLE

Hoist type:

SX6 042...F0

SI-50Hz



HOL (m)	HOL* (m)	Length code	R (mm)	M1 (mm)	M2 (mm)	Approx Weight (kg)
7.5	N.A.	E	1600	682	459	1300
10.5	7.5	F	1600	832	384	1300
14	11	G	1600	1022	289	1400
19	16	H	2200	1272	464	1600
25.5	22.5	J	2200	1622	289	1700
31.5	28.5	K	2250	1922	164	1900
38.5	35.5	L	2250	2272	-10	2000
43.5	40.5	M	2800	2522	139	2200
49	46	N	2800	2822	-10	2400

HOL\* with optional drum brake Weight of drum brake is 80 kg.

Motor	P6	P7	P8	A7	S7	S8	SA
MOT (mm)	536	576	711	536	715	763	803
Weight (kg)	85	105	106	71	81	97	120

Load (kg)	Class Fem/ISO
12500	3m/M6
16000	2m/M5
20000	1Am/M4

Headroom - C dimension	
Standard	1040 mm
with HS22 Hook operated limit switch	1090 mm

Hoist weight calculated with P6 motor weight and without drum brake.

This document is the absolute property of R&M Materials Handling, Inc. This document must not be copied without the written permission of R&M Materials Handling, Inc. The contents thereof must not be disclosed to a third party nor be used for any unauthorized purpose. Contravention will be prosecuted.

ETTPAL Design	KHHMKH Chd	Appld	Ref Drawing	QD-F-24
2002-09-03 Date	HOIST; FIXED			1:13
SLEQDOCV Owner Dept	2x4 ROPE FALLS			Folder
R&M MATERIALS HANDLING INC.	R&M MATERIALS HANDLING, INC HOIST & CRANE PRODUCTS SPRINGFIELD, OHIO	D006941-A		Issue 2/2016