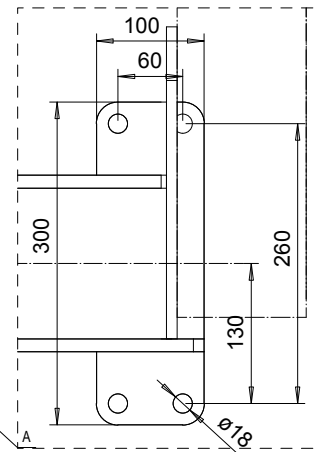
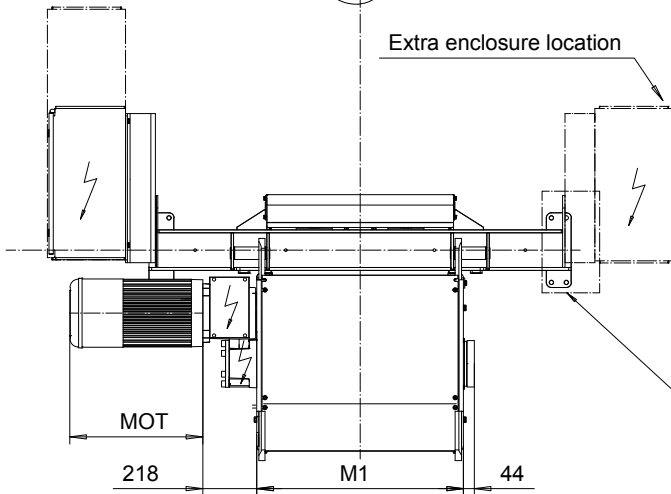
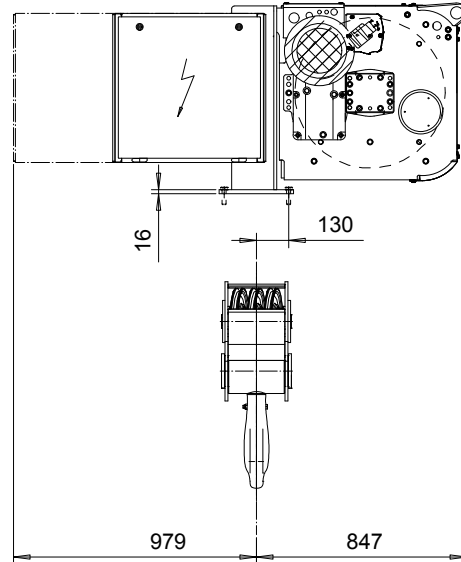
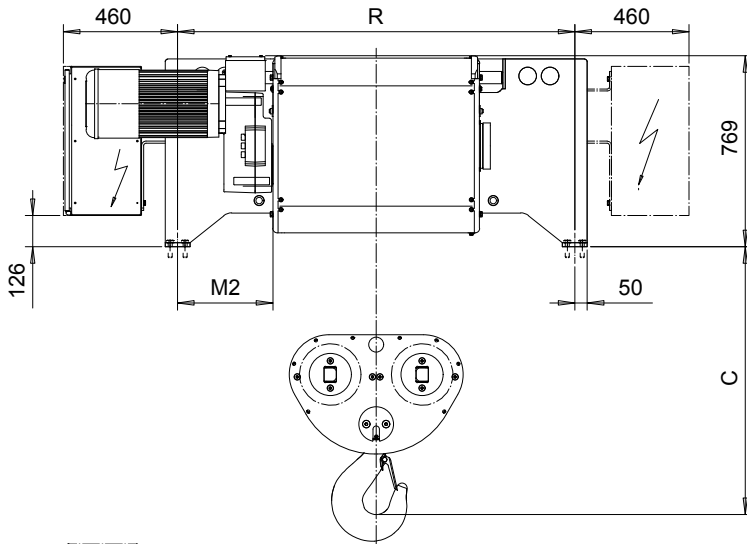


FOOT MOUNT, 6 PART DOUBLE

Hoist type:

SX6 062...F0

SI-50Hz



HOL (m)	HOL* (m)	Length code	R (mm)	M1 (mm)	M2 (mm)	Approx Weight (kg)
5	N.A.	E	1600	682	459	1400
7	5	F	1600	832	384	1400
9.5	7.5	G	1600	1022	289	1500
12.5	10.5	H	2200	1272	464	1700
17	15	J	2200	1622	289	1800
21	19	K	2250	1922	164	1900
25.5	23.5	L	2250	2272	-10	2100
28.5	26.5	M	2800	2522	139	2300
32.5	30.5	N	2800	2822	-10	2400

HOL* with optional drum brake Weight of drum brake is 80 kg.

Motor	P6	P7	P8	A7	S7	S8	SA
MOT (mm)	536	576	711	536	715	763	803
Weight (kg)	85	105	106	71	81	97	120

Load (kg)	Class Fem/ISO
20000	3m/M6
25000	2m/M5
30000	1Am/M4

Headroom - C dimension	
Standard	1079 mm
with HS22 Hook operated limit switch	1129 mm

Hoist weight calculated with P6 motor weight and without drum brake.

This document is the absolute property of R&M Materials Handling, Inc. This document must not be copied without the written permission of R&M Materials Handling, Inc. The contents thereof must not be disclosed to a third party nor be used for any unauthorized purpose. Contravention will be prosecuted.

ETTPAL Design	KHHMKH Chd	Appl	Ref Drawing	QD-F-26
2002-09-03 Date	HOIST; FIXED			1:13
SLEQDOCV Owner Dept	2x6 ROPE FALLS			Folder
R&M MATERIALS HANDLING INC.	R&M MATERIALS HANDLING, INC HOIST & CRANE PRODUCTS SPRINGFIELD, OHIO	D006942-A		Issue 2/2016