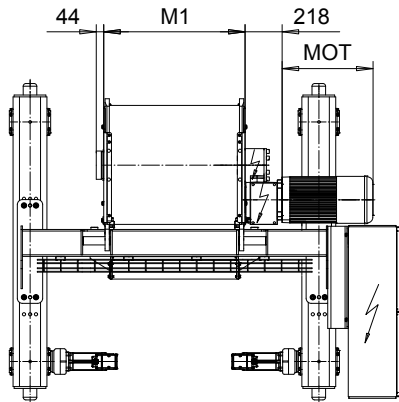
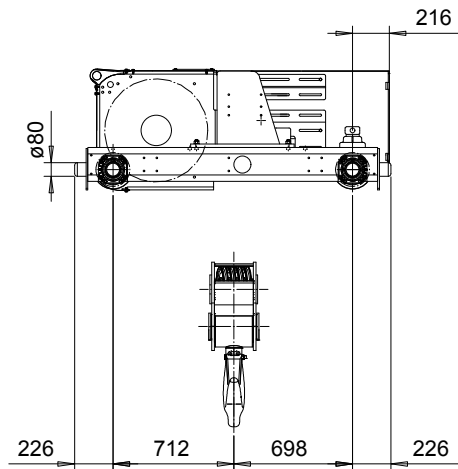
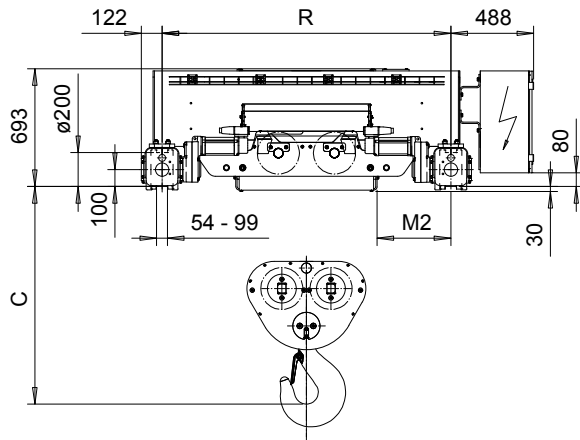


# DOUBLE GIRDER, MEDIUM, 8 PART DOUBLE

Hoist type:  
SX6 082...D0

SI-50Hz



| HOL (m) | HOL* (m) | Length code | M1 (mm) | M2 (mm) | Min R (mm) | Max R (mm) | Approx Weight (kg) |
|---------|----------|-------------|---------|---------|------------|------------|--------------------|
| 5       | 3.5      | F           | 832     | 434     | 1700       | 2400       | 1850               |
| 7       | 5.5      | G           | 1022    | 338     | 1700       | 2700       | 1920               |
| 9.5     | 8        | H           | 1272    | 364     | 2000       | 3100       | 2050               |
| 12.5    | 11       | J           | 1622    | 389     | 2400       | 3400       | 2230               |
| 15.5    | 14       | K           | 1922    | 389     | 2700       | 3400       | 2400               |
| 19      | 17.5     | L           | 2272    | 414     | 3100       | 3400       | 2620               |
| 21.5    | 20       | M           | 2522    | 439     | 3400       | 3800       | 2790               |
| 24.5    | 23       | N           | 2822    | 489     | 3800       | 4200       | 3010               |

HOL\* with optional drum brake Weight of drum brake is 80 kg.

| Motor       | P6  | P7  | P8  | A7  | S7  | S8  | SA  |
|-------------|-----|-----|-----|-----|-----|-----|-----|
| MOT (mm)    | 536 | 576 | 711 | 536 | 715 | 763 | 803 |
| Weight (kg) | 85  | 105 | 106 | 71  | 81  | 97  | 120 |

| Load (kg) | Class Fem/ISO |
|-----------|---------------|
| 32000     | 2m/M5         |
| 40000     | 1Am/M4        |

| Headroom - C dimension               |         |
|--------------------------------------|---------|
| Standard                             | 1280 mm |
| with HS22 Hook operated limit switch | 1330 mm |

Standard rail gauges are 1700, 2000, 2400, 2700, 3100, 3400, 3800, and 4200 mm.

M2 is listed at Min R.

Hoist weight calculated at Min R, with P6 motor, without drum brake.

This document is the absolute property of R&M Materials Handling, Inc. This document must not be copied without the written permission of R&M Materials Handling, Inc. The contents thereof must not be disclosed to a third party nor be used for any unauthorized purpose. Contravention will be prosecuted.

|                             |  |           |             |         |
|-----------------------------|--|-----------|-------------|---------|
| ETTPAL Design               | ETTPAL Chd   | Appd      | Ref Drawing | QD-M-28 |
| 2002-09-02 Date             | TROLLEY; DOUBLE GIRDER   |           |             | 1:19    |
| SLEODOCV Owner Dept         | MEDIUM, 2x8 ROPE FALLS   |           |             | Folder  |
| R&M MATERIALS HANDLING INC. | R&M MATERIALS HANDLING, INC HOIST & CRANE PRODUCTS SPRINGFIELD, OHIO | D006654-A |             | Issue 4 |