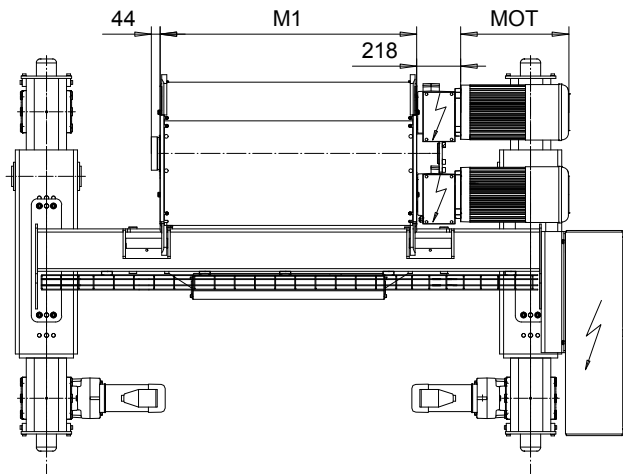
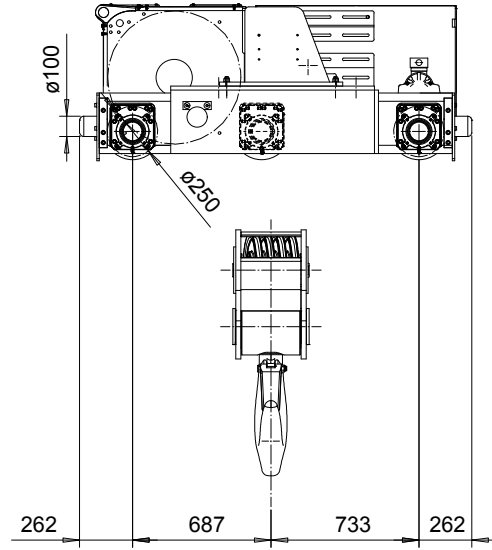
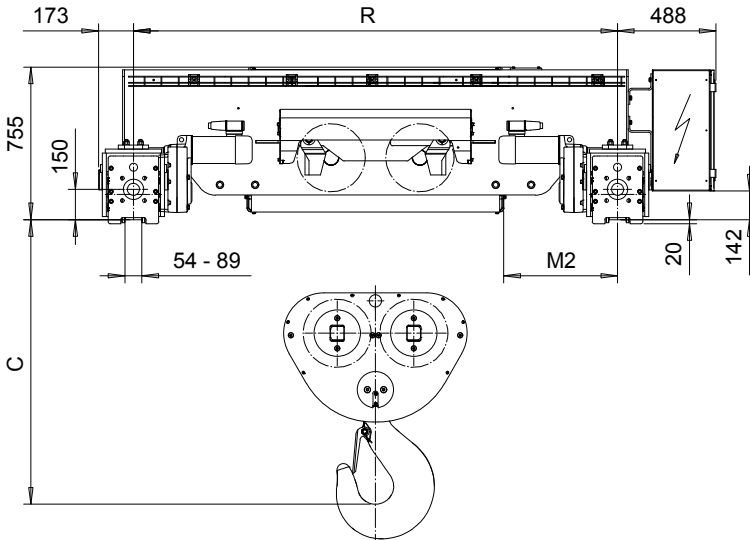


DOUBLE GIRDER, MEDIUM, 8 PART DOUBLE
Hoist type:
SX7 082...D0

SI-60Hz



Headroom - C dimension	
Standard	1410 mm
with HS22 Hook operated limit switch	1460 mm

Motor	P6	P7	A7	S7	S8	SA
MOT (mm)	536	576	536	715	763	803
Weight (kg)	85	105	71	81	97	120

HOL	HOL*	Length	M1	M2	Min R	Max R	Approx Weight
(m)	(m)	code	(mm)	(mm)	(mm)	(mm)	(kg)
6.5	4.5	H	1272	564	2400	3100	3380
9	7	J	1622	389	2400	3100	3610
11	9	K	1922	389	2700	3100	3860
13.5	11.5	L	2272	414	3100	3400	4140
15.5	13.5	M	2522	439	3400	3800	4330
17.5	15.5	N	2822	489	3800	4200	4590

HOL* with optional drum brake Weight of drum brake is 80 kg.

Load	Class
(kg)	Fem/ISO
60000	2m/M5
80000	1Am/M4

Standard rail gauges are 2400, 2700, 3100, 3400, 3800, and 4200 mm.

M2 is listed at minR.

Hoist weight calculated at Min R, with P6 motor, without drum brake.

This document is the absolute property of R&M Materials Handling, Inc. This document must not be copied without the written permission of R&M Materials Handling, Inc. The contents thereof must not be disclosed to a third party nor be used for any unauthorized purpose. Contravention will be prosecuted.

ETTPAL Design 2003-01-13 Date	ETTPAL Chd	Appd	Ref Drawing	QE-M-28
SLEQDOCV Owner/Desig	TROLLEY; DOUBLE GIRDER MEDIUM, 2X8 ROPE FALLS			1-18 Folder
R&M MATERIALS HANDLING INC.	R&M MATERIALS HANDLING, INC. HOIST & CRANE PRODUCTS SPRINGFIELD, OHIO	D006658-A		Issue 4