

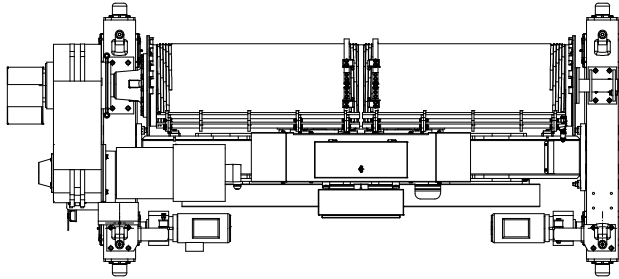
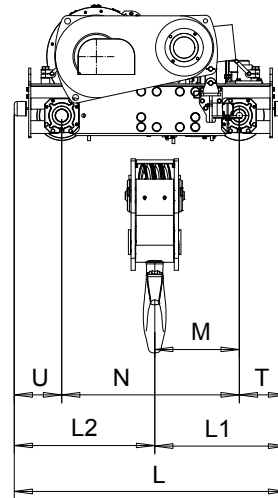
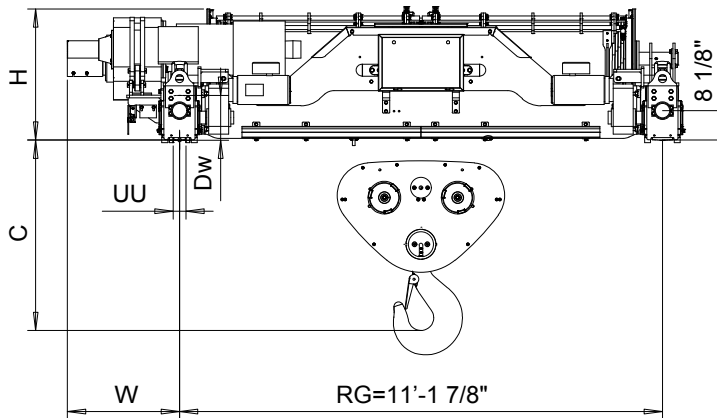
Hoist type:

SXL18 052...R3400

SXL18 062...R3400

SXL18 082...R3400

US units



Hoisting trolley type	Duties 03...06	Hoisting trolley dimensions (inch)									Rail wheel (inch)		C (inch)		Weight (lb)	
		H	M	N	L	L1	L2	T	U	W	Dw	UU*	RG34	RG34		
SXL18052	X	36 3/8"	23 7/16"	49 1/4"	75 1/2"	36 9/16"	38 15/16"	13 3/16"	13 3/16"	31 1/8"	12.40"	4 1/4"	52 3/4"	13559		
SXL18062	X	36 3/8"	22 5/8"	49 1/4"	75 1/2"	35 13/16"	39 11/16"	13 3/16"	13 3/16"	31 1/8"	12.40"	4 1/4"	52 3/4"	13647		
SXL18082	X	36 3/8"	21 1/4"	49 1/4"	75 1/2"	34 7/16"	41 1/16"	13 3/16"	13 3/16"	31 1/8"	12.40"	4 1/4"	55 3/8"	14463		

Weight of the service platform is not included into trolley weight. \* UU based on 4" rail.

DESHPY Design 2011-06-17 Date					Chd		Appd		Ref Drawing											
Rev					Explanation					Date		Revised by		Checked by						
<p>This document is the absolute property of R&amp;M Materials Handling, Inc. This document must not be copied without the written permission of R&amp;M Materials Handling, Inc. The contents thereof must not be disclosed to a third party nor be used for any unauthorized purpose. Contravention will be prosecuted.</p>															R&M MATERIALS HANDLING, INC. HOIST & CRANE PRODUCTS SPRINGFIELD, OHIO		TROLLEY; DOUBLE GIRDER SXL18 SXL18-R3400-052/062/082 DA002722		1 of 25 Folder Issue 3	