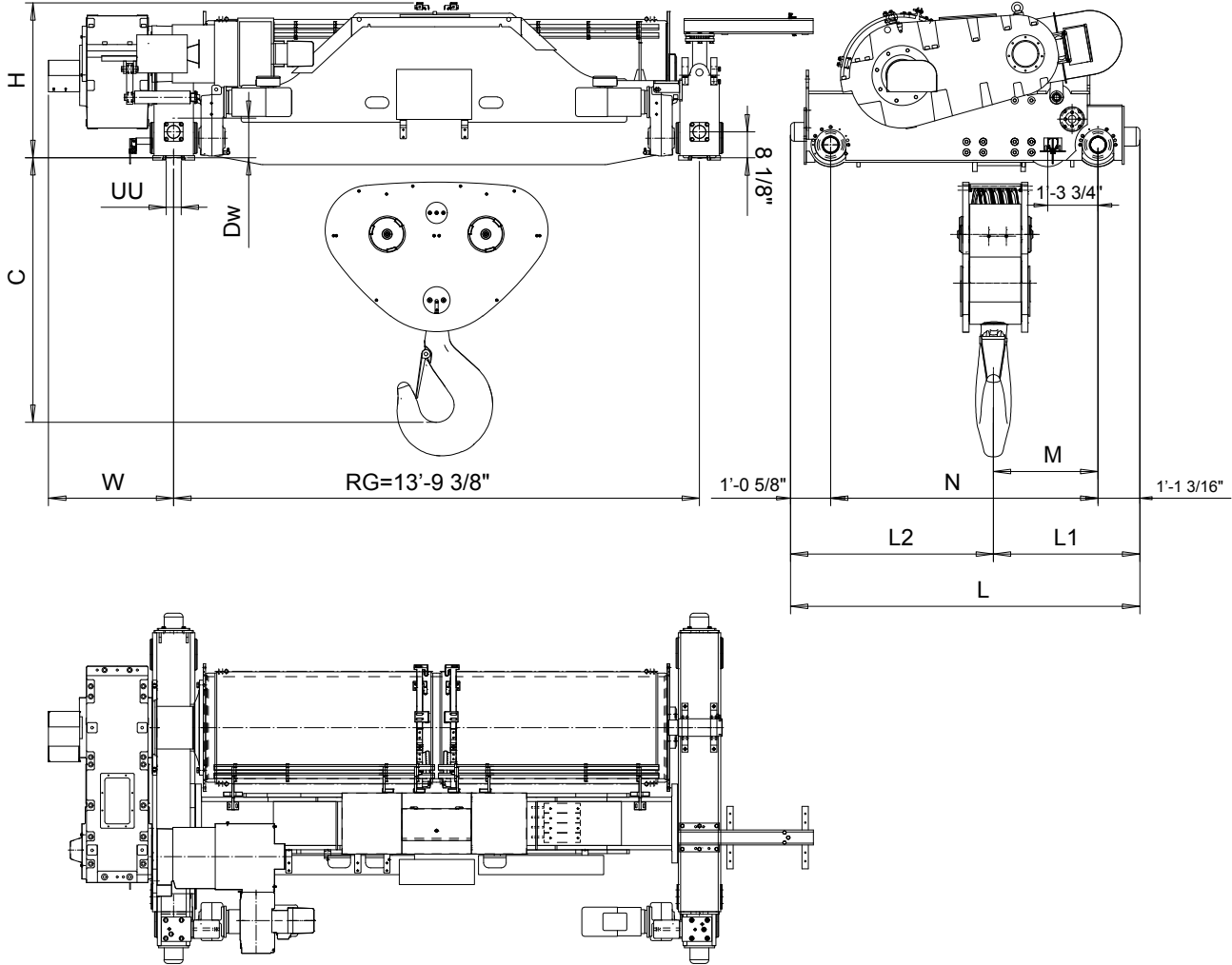


Hoist type:
SXL20...R4200

US units

6-WHEEL TROLLEY



Trolley	Duty 03...06	Hoisting trolley dimensions (inch)							Rail wheel (inch)		C (in)	Weight (lb)
		H	M	N	L	L1	L2	W	Dw	UU*	(42)	(42)
SXL20022	X	49 1/4"	36 1/4"	84 1/16"	109 7/8"	49 7/16"	60 7/16"	39 3/8"	12.40"	4 1/4"	76 1/4"	36575
SXL20032	X	49 1/4"	36 1/4"	84 1/16"	109 7/8"	49 7/16"	60 7/16"	39 3/8"	12.40"	4 1/4"	84 1/2"	37236
SXL20042	X	49 1/4"	35 1/16"	84 1/16"	109 7/8"	48 1/4"	61 5/8"	39 3/8"	12.40"	4 1/4"	74 1/2"	38383
SXL20052	X	49 1/4"	34 5/8"	84 1/16"	109 7/8"	47 7/8"	62"	39 3/8"	12.40"	4 1/4"	88 3/8"	39419
SXL20062	X	49 1/4"	33 7/8"	84 1/16"	109 7/8"	47 1/16"	62 13/16"	39 3/8"	12.40"	5"	79"	40587
SXL20082	X	49 1/4"	32 11/16"	84 1/16"	109 7/8"	45 7/8"	64"	39 3/8"	12.40"	5"	83 1/4"	42285

Weight of the service platform is not included into the trolley weight. *UU based on 4" or 4 3/4" rail.

Rev Explanation Date Revised by Checked by
This document is the absolute property of R&M Materials Handling, Inc. This document must not be copied without the written permission of R&M Materials Handling, Inc. The contents thereof must not be disclosed to a third party nor be used for any unauthorized purpose. Contravention will be prosecuted.

DESHPYO Design 2011-06-17 Date	Chd	Appd	Ref Drawing	
Owner Dept R&M MATERIALS HANDLING INC.	TROLLEY; DOUBLE GIRDER SXL20			1:27
R&M MATERIALS HANDLING, INC. HOIST & CRANE PRODUCTS SPRINGFIELD, OHIO	SXL20-R4200			Folder
	DA003422			Issue 1