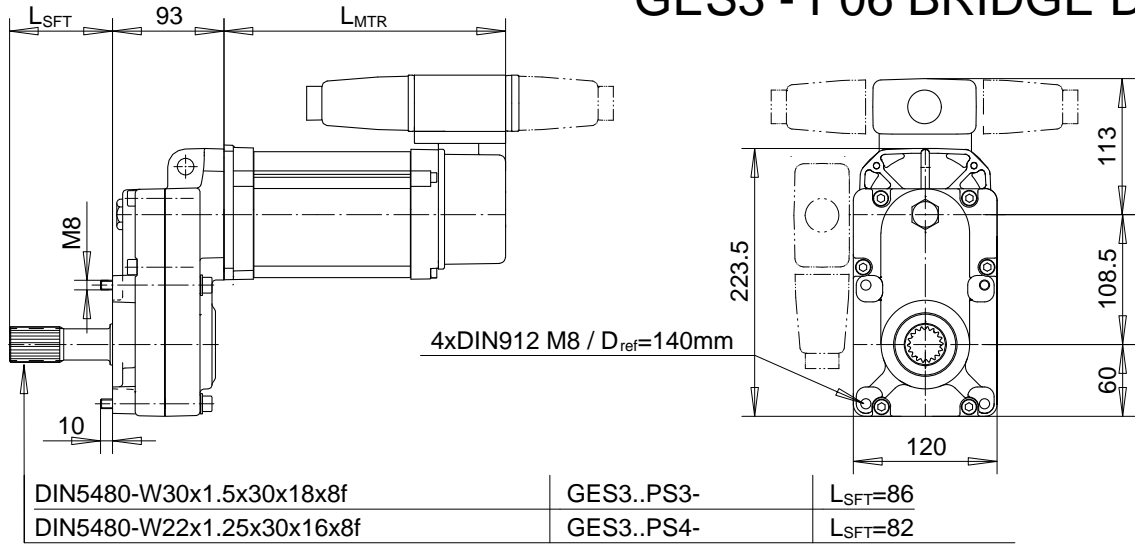


GES3 - F06 BRIDGE DRIVE



MAXIMUM TRAVELLING SPEED (*			3000Rpm MOTOR [m/min] (**				3600Rpm MOTOR [fpm] (**			
MACHINERY TYPE	RATIO	T 2max	Dw=200	Dw=140	Dw=110	Dw=90	Dw=200	Dw=140	Dw=110	Dw=90
GES342PS.BOF06	41.92	165 Nm	40	32	25	20	170	118	100	71
GES332PS.BOF06	30.47	120 Nm	56	40	32	25	236	160	125	100
GES325PS.BOF06	24.89	100 Nm	70	50	40	32	280	200	160	125
GES320PS.BOF06	19.62	80 Nm	90	63	50	40	355	250	200	160

SUITABLE MF06 INVERTER MOTORS					
MOTOR TYPE	L mtr	P n	U/f	n s	T n
MF06MA200	235 mm	0.30 kW	3~400V/100Hz	3000 rpm	1.0 Nm
MF06MA200	235 mm	0.37 kW	3~460V/120Hz	3600 rpm	1.0 Nm
MF06MA100	235 mm	0.45 kW	3~400V/ 80Hz	4800 rpm	0.9 Nm
MF06LA200	275 mm	0.45 kW	3~400V/100Hz	3000 rpm	1.5 Nm
MF06LA200	275 mm	0.55 kW	3~460V/120Hz	3600 rpm	1.5 Nm
MF06LA200	275 mm	0.65 kW	3~400V/100Hz	3000 rpm	2.6 Nm
MF06LA200	275 mm	0.75 kW	3~460V/120Hz	3600 rpm	2.6 Nm
MF06LA100	275 mm	0.65 kW	3~400V/ 80Hz	4800 rpm	1.4 Nm

OPTIONAL MF06 POLE CHANGE MOTORS NOTE: 2-PHASE BRAKING REQUIRED					
MOTOR TYPE	L mtr	P n	U/f	n s	T n
MF06MA104	235 mm	0.30/0.05 kW	3~400V/50Hz	3000/750 rpm	1.0 Nm
MF06MA104	235 mm	0.37/0.07 kW	3~460V/60Hz	3600/900 rpm	1.0 Nm
MF06LA104	275 mm	0.45/0.10 kW	3~400V/50Hz	3000/750 rpm	1.6 Nm
MF06LA104	275 mm	0.55/0.12 kW	3~460V/60Hz	3600/900 rpm	1.6 Nm

^c SPEED IS CALCULATED WITH AN AVERAGE SLIP. ACTUAL SPEED DEPENDS ON LOAD, MOTOR AND INVERTER.

^{**} TRAVELLING SPEED WITH OTHER MOTOR SPEED THAN SHOWN ON TABLE CAN BE DERIVED FROM THE MOTOR SPEED DIFFERENCE, EG. WITH 4800 rpm MOTORS, THE MAXIMUM SPEED IS THE TABLE SPEED MULTIPLIED BY 1.6 (=4800/3000).

COMPONENTS - BRIDGE DRIVE

Dimensions are for reference in estimating only. Use of various modifications may affect overall dimensional outline. Where dimensions are critical, request certified drawings for construction. All dimensions are in millimeters unless otherwise noted.	Wt. kg(lb)	Chd	Appd	p_QX.GES3DP01A1 File	
		2002-09-23 Date	QX.GES3DP01A1		
		R&M	R&M Materials Handling Inc.		
		MATERIALS HANDLING	4501 Gateway Blvd, Springfield		
		INC.	GES3-F06 DRIVE	Issue 3/2006	