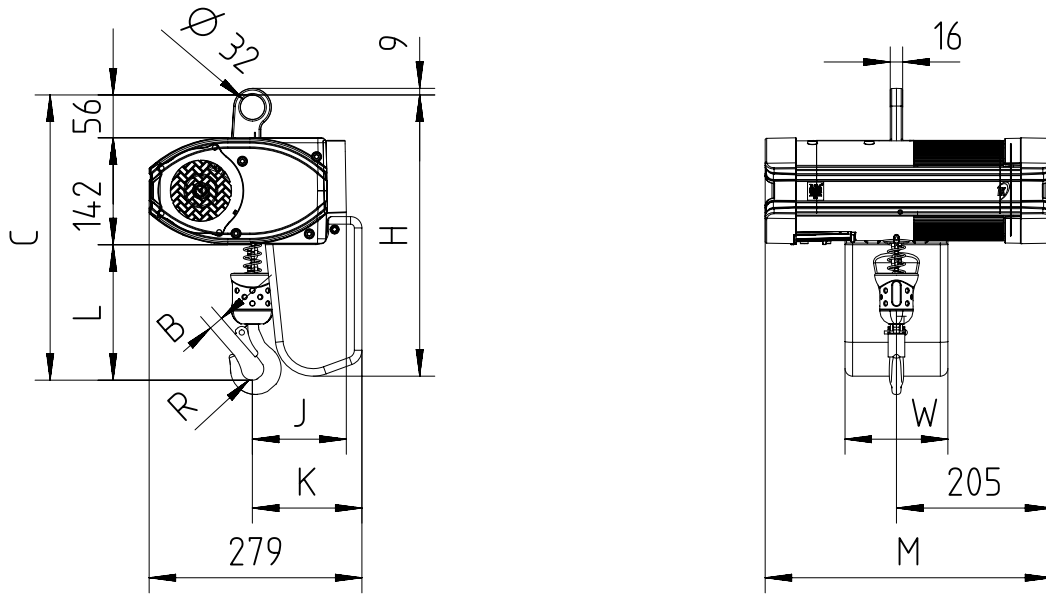


Eye suspended (perpendicular version)



Chain Size (mm)	Max load (kg)	Falls	Chain bag capacity (m)	Dimensions (mm)										Weight of chain (kg/m)	Estimated weight of hoist w/o chain (kg)		
				B	C	L	R	J	K	H	W	M			LK	GLS	DB
												LK	DB/GLS				
4X11	320	1	6	19	377	179	15	125	145	372	136	379	496	0.37	26	32	28
			16							472							
			35							622							

 GLS: Gear Limit Switch
 DB : Double Brake