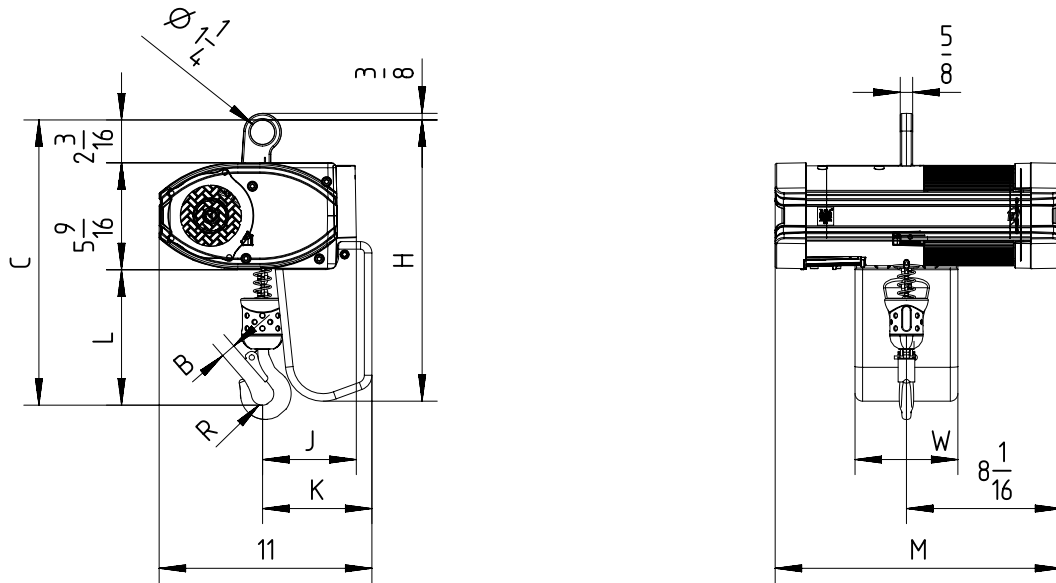


Eye suspended (perpendicular version)



Chain Size (mm)	Max load (TON)	Falls	Chain bag capacity (ft)	Dimensions (inch)										Weight of chain (lb/ft)	Estimated weight of hoist w/o chain (lb)		
				B	C	L	R	J	K	H	W	M			LK	GLS	DB
												LK	DB/GLS				
4X11	1/4	1	19	3/4	14 7/8	7	5/8	4 7/8	5 3/4	14 5/8	5 3/8	14 7/8	19 1/2	0.25	57	70	62
			52							18 5/8							
			114							24 1/2							

GLS: Gear Limit Switch
DB : Double Brake