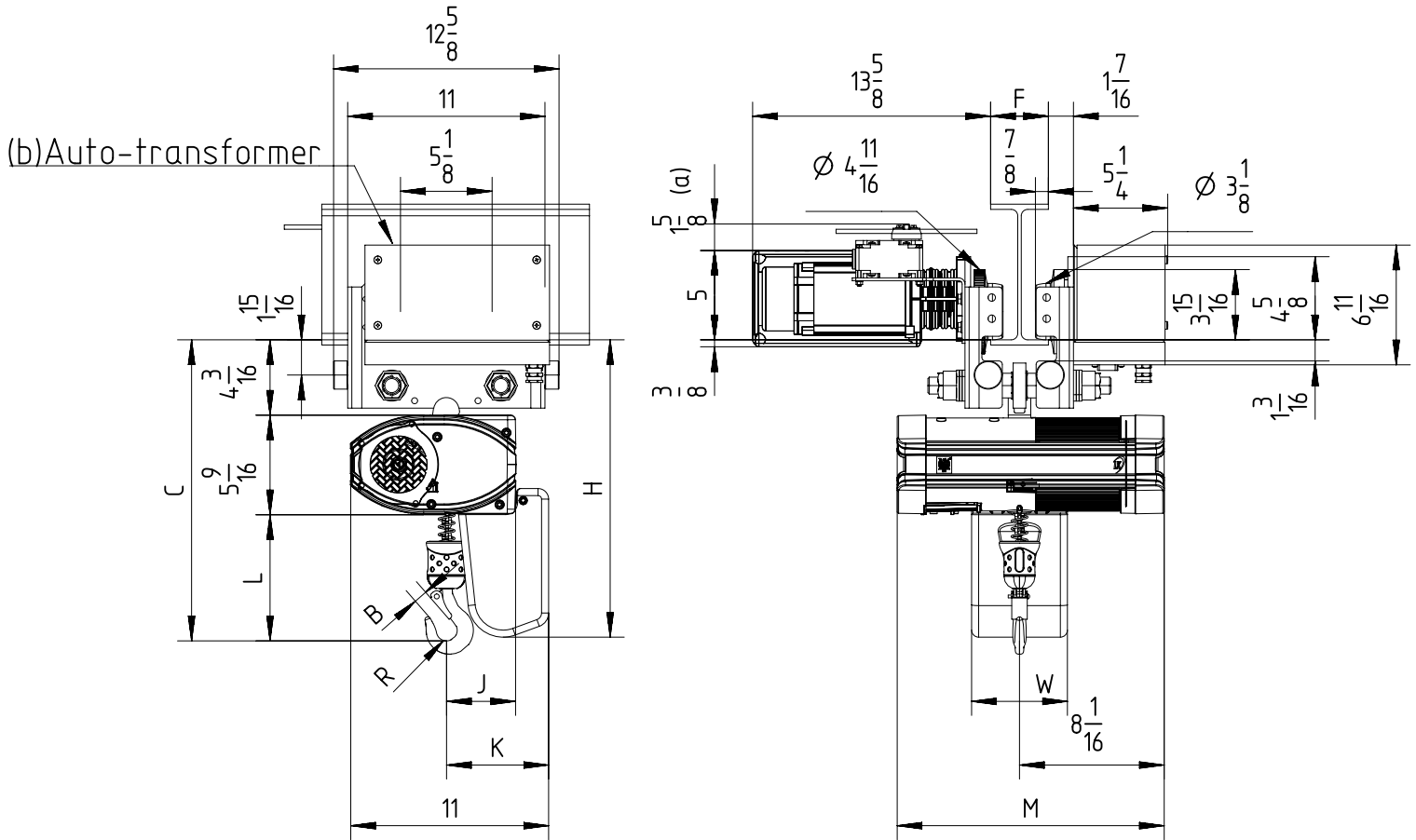




Fixed to electric travel trolley C2 max 0.25 TON (perpendicular version)



$$2\frac{1}{2} < F < 12\frac{3}{16}$$

(a) Note: Trolley limit switch is optional.
 (b) If the voltage is less than 380V or more than 480V, the trolley motor needs an autotransformer as drawn.
 Note: Mini. radius of curve for C2 trolley is 6.56ft.

Chain Size (mm)	Max load (TON)	Falls	Chain bag capacity (ft)	Dimensions (inch)										Weight of chain (lb/ft)	Estimated weight of hoist incl. trolley w/o chain (lb)		
				B	C	L	R	J	K	H	W	M			LK	GLS	DB
												LK	DB/GLS				
4X11	1/4	1	19	3/4	16 3/4	7	5/8	3 7/8	5 3/4	16 5/8	5 3/8	14 7/8	19 1/2	0.25	159	172	163
			52							20 1/2							
			114							26 1/2							

GLS: Gear Limit Switch
 DB: Double Brake