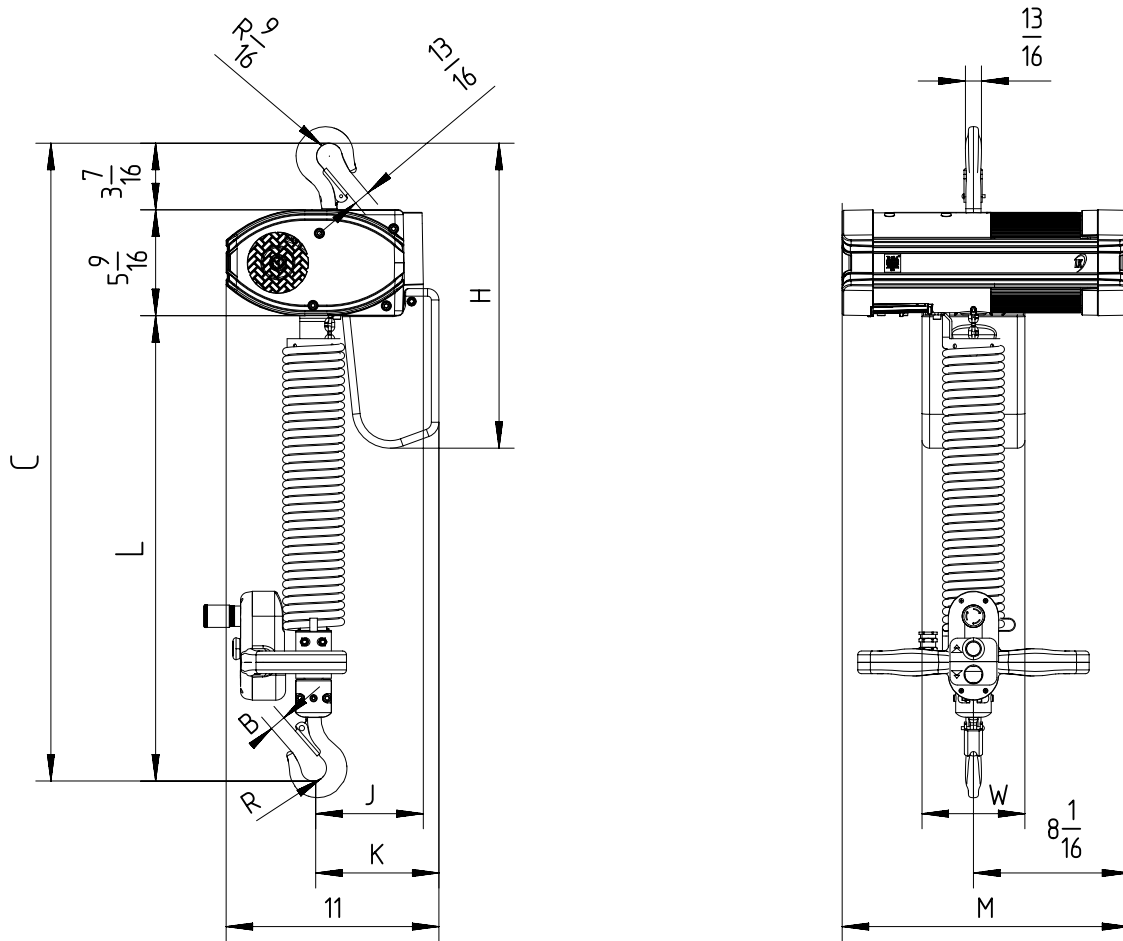


Digichain with Hook suspended (perpendicular version) (max. 0.25 TON)
 Maximum height of lift: 10ft (option: 15ft)



At height lift from 9.84ft to 16.4ft add $5\frac{1}{8}$ inch to dimensions "C" and "L".

Chain Size (mm)	Max load (TON)	Falls	Chain bag capacity (ft)	Dimensions (inch)											Weight of chain (lb/ft)	Estimated weight of hoist w/o chain (lb)		
				B	C	L	R	J	K	H	W	M		LK		GLS	DB	
												LK	DB/GLS					
4X11	$\frac{1}{4}$	1	16	$\frac{7}{8}$	$36\frac{5}{8}$	$27\frac{1}{2}$	$\frac{5}{8}$	$4\frac{7}{8}$	$5\frac{3}{4}$	$15\frac{7}{8}$	$5\frac{3}{8}$	$14\frac{7}{8}$	$19\frac{1}{2}$	0.25	64	77	68	

GLS: Gear Limit Switch
 DB : Double Brake