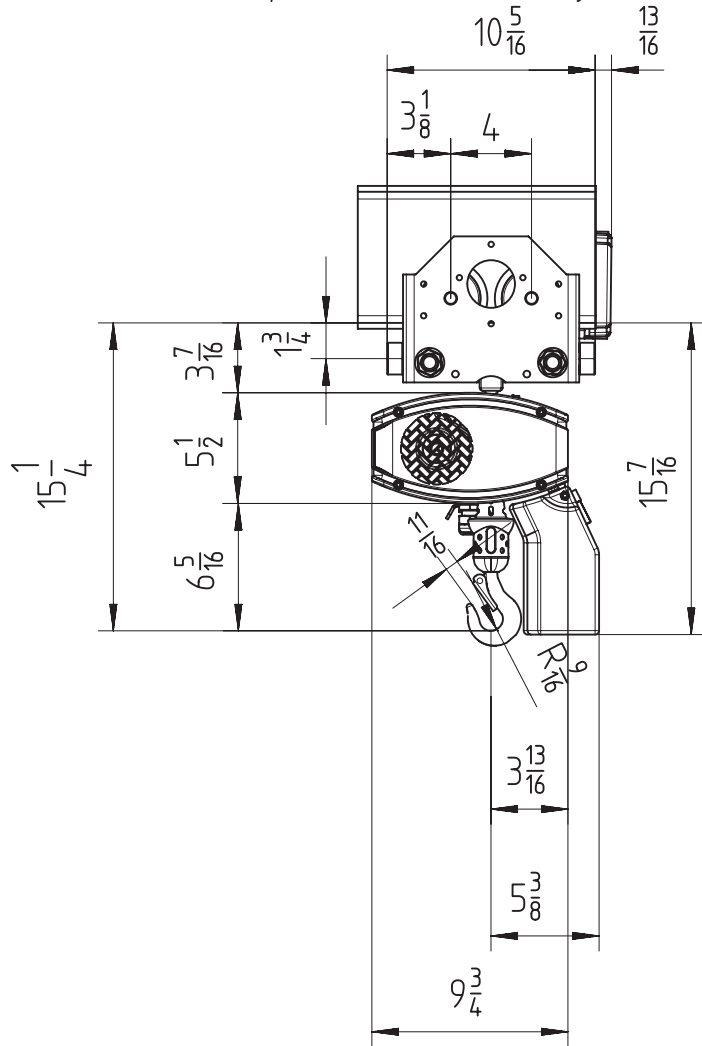
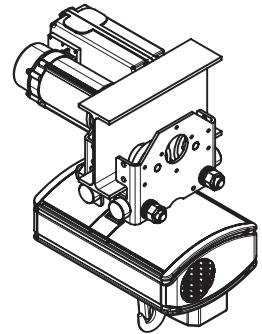
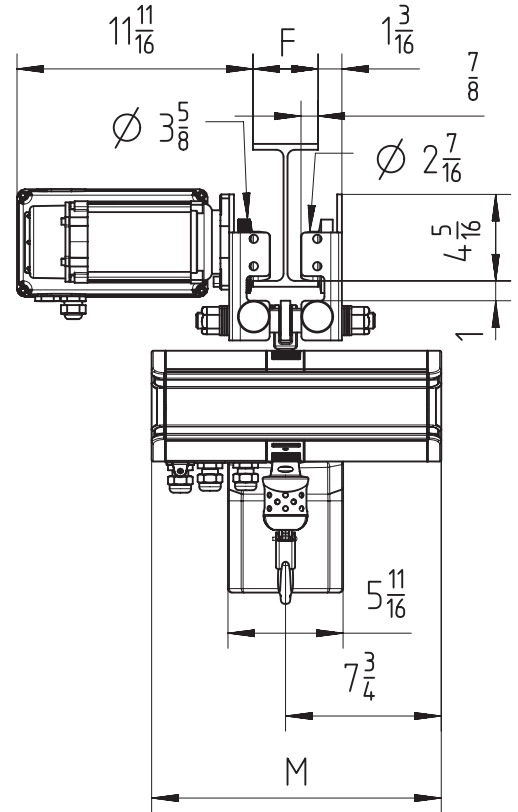


Fixed to two-speed travel trolley TMU1 - 1 Fall (perpendicular version)



MAX 1/4 Ton



$$2\frac{3}{16} < F < 12\frac{3}{16}$$

Note: For hoisting speed 63 ft/min and higher, add $2\frac{1}{2}$ inches to dimension $15\frac{1}{4}$ and $6\frac{5}{16}$

Chain Size	Max load Ton	Chain bag capacity ft	Chain weight per foot lb/ft	Estimated Unit weight w/o chain lb		
				LK	GLS	DB
4x11	1/4	26.2	0.25	105.2	109.1	109.8
Dimension M in inches				$14\frac{3}{8}$	$17\frac{7}{8}$	$16\frac{7}{16}$

GLS: Gear Limit Switch
DB : Double Brake