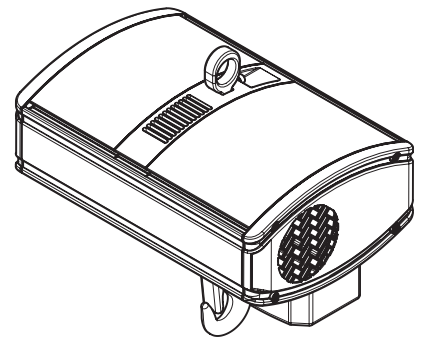
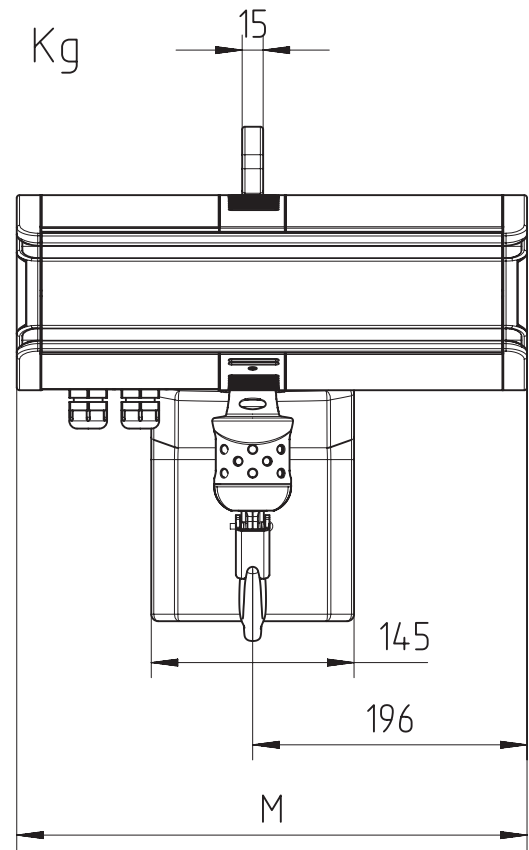
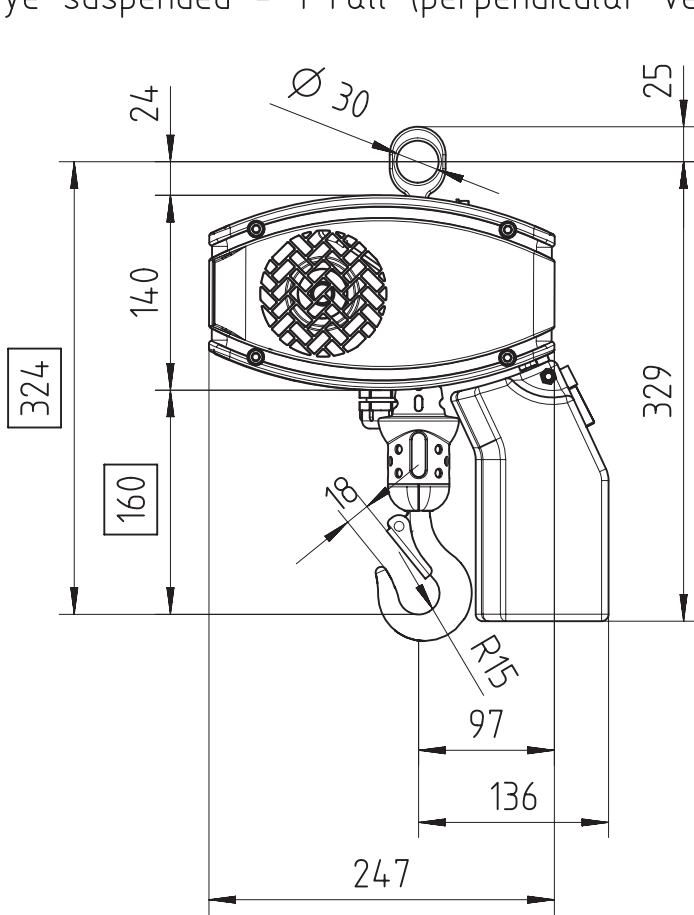


Eye suspended - 1 Fall (perpendicular version)

Max 250 Kg



Note: For hoisting speed 16 m/min and higher, add 63 mm to dimension 324 and 160.

Chain Size	Max load Kg	Chain bag capacity m	Weight per meter Kg/m	Estimated unit weight w/o chain Kg		
				LK	GLS	DB
4x11	250	8	0.37	20.2	22	22.3
Dimension M in mm				365	454	417

GLS: Gear Limit Switch
DB : Double Brake