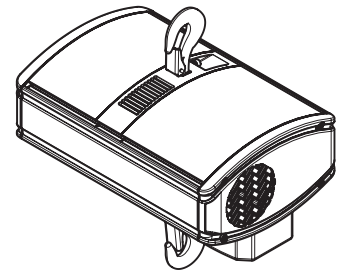
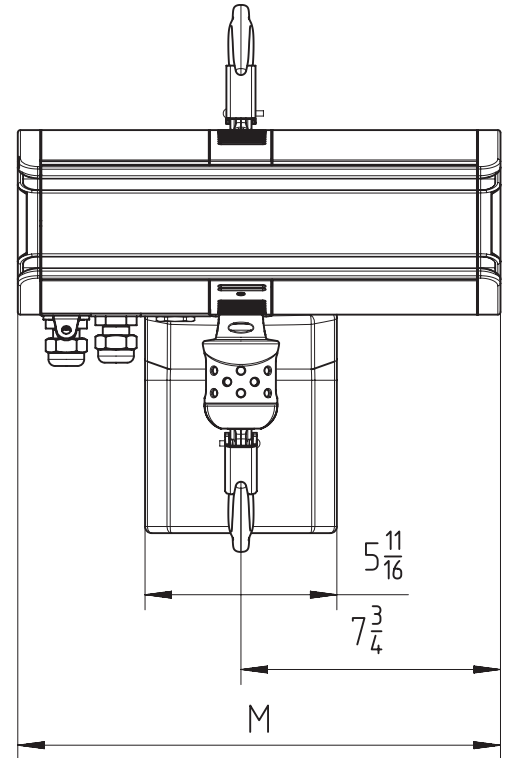
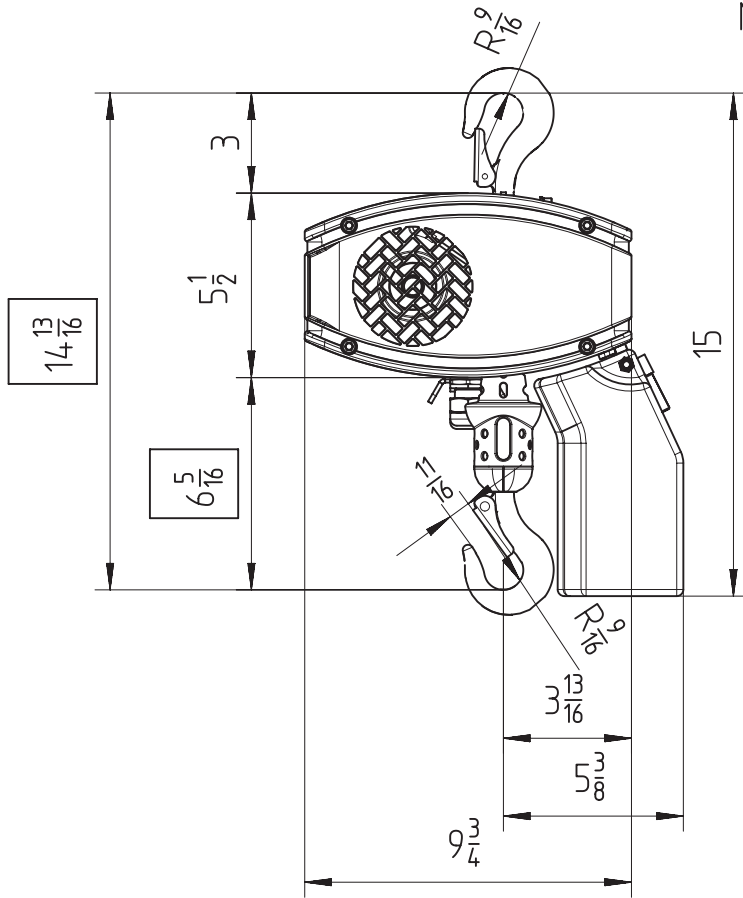


Hook suspended- 1 Fall (perpendicular version)

Max 1/4 Ton


 Note: For hoisting speed 63 ft/min and higher, add $2\frac{1}{2}$ inches to dimension $14\frac{13}{16}$ and $6\frac{5}{16}$

Chain Size	Max load Ton	Chain bag capacity ft	Chain weight per foot lb/ft	Estimated Unit weight w/o chain lb		
				LK	GLS	DB
4x11	1/4	26.2	0.25	44.98	48.94	49.6
Dimension M in inches				$14\frac{3}{8}$	$17\frac{7}{8}$	$16\frac{7}{16}$

 GLS: Gear Limit Switch
 DB : Double Brake