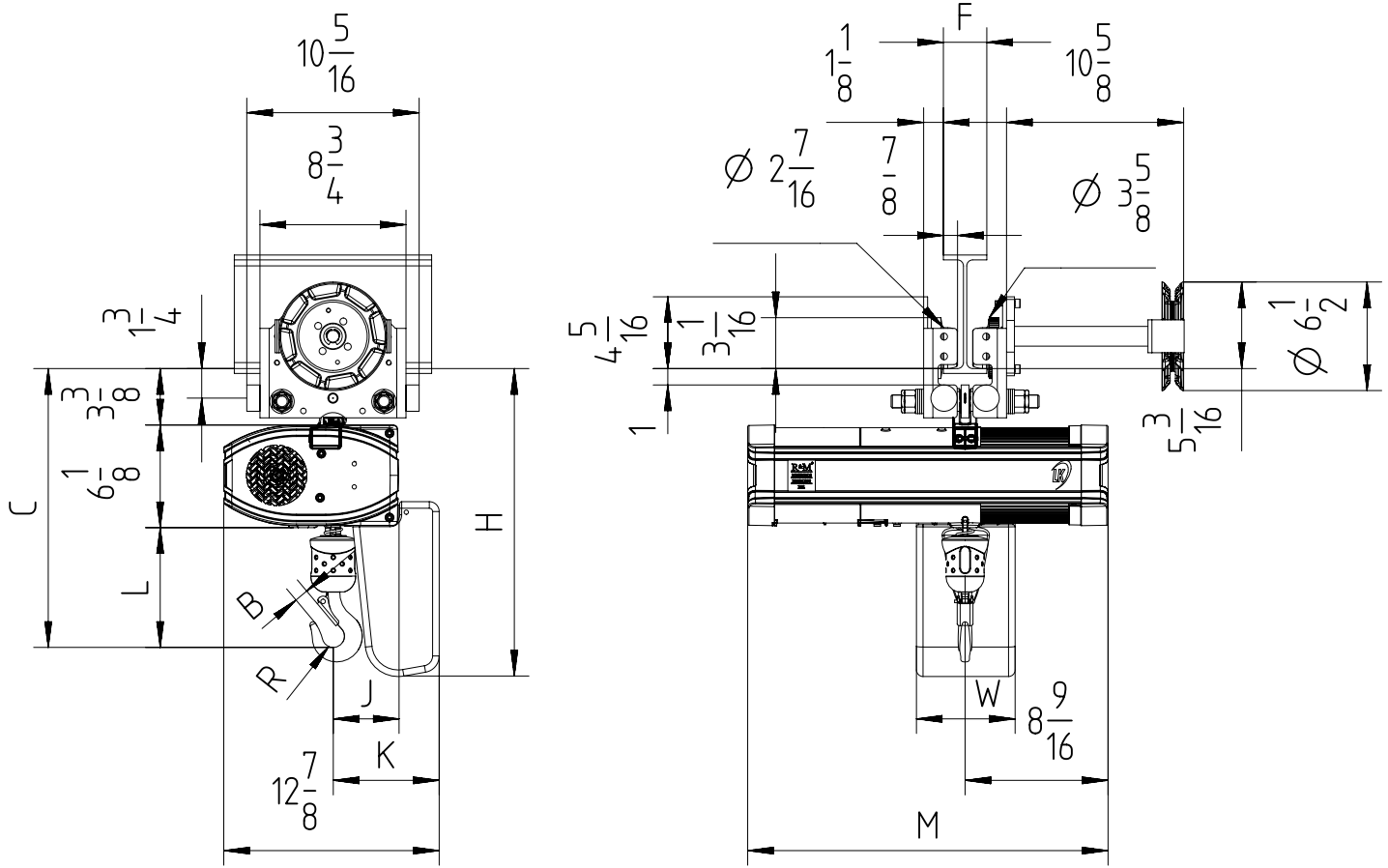


Fixed to Hand chain trolley C1 max 1 TON (perpendicular version)



$2\frac{1}{8} < F < 12\frac{1}{4}$

Note: Mini. radius of curve for C1 trolley is 6.56ft.
 Note: In case of 2-fall hoist, hook suspension is rotated by 180°.

Chain Size (mm)	Max load (TON)	Falls	Chain bag capacity (ft)	Dimensions (inch)								W	M	Weight of chain (lb/ft)	Estimated weight of hoist incl. trolley w/o chain (lb)
				B	C	L	R	J	K	H					
5X14	1/2	1	19	7/8	16 3/4	7 1/8	5/8	4	6 3/8	18 3/8	5 7/8	21 5/8	0.38	117	
			52							21					
			82							25 3/4					
	1	2	19 (*)	1	19 1/8	9 5/8	7/8	4 7/8	7 1/4	18 3/8					
			52 (*)							21					
			82 (*)							25 3/4					

(*) In case of 2-fall hoist, available lifting height is half of the chain bag maximum capacity