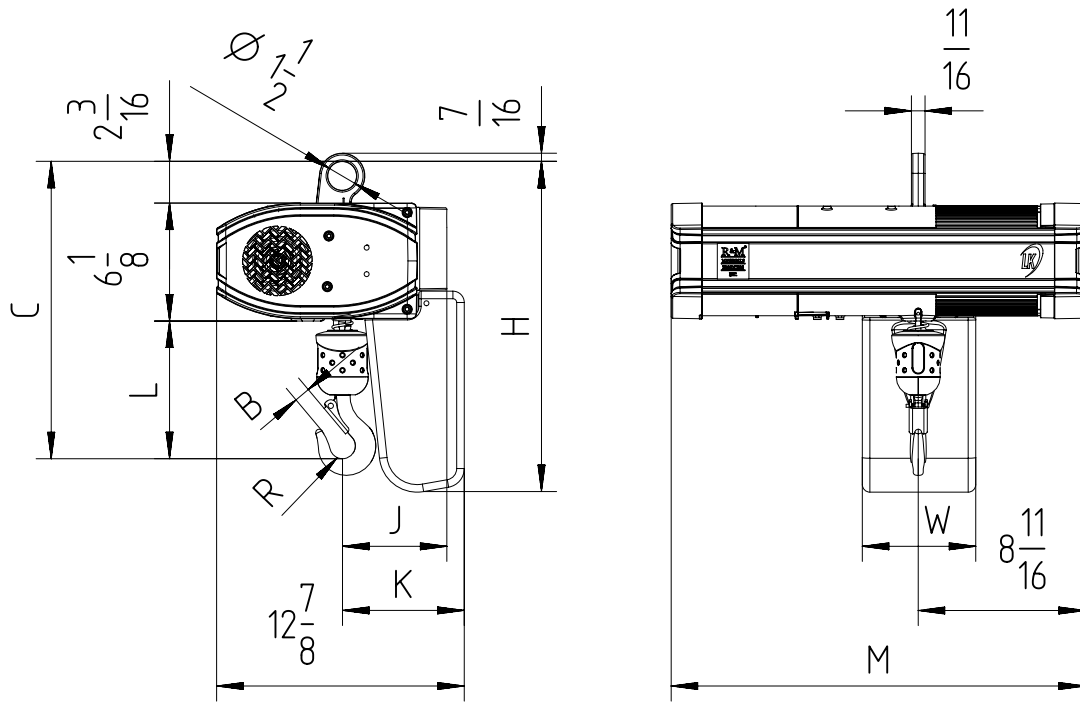


## Eye suspended (perpendicular version)



Note: In case of 2-fall hoist, hook suspension is rotated by 180°.

Chain Size (mm)	Max load (TON)	Falls	Chain bag capacity (ft)	Dimensions (inch)								Weight of chain (lb/ft)	Estimated weight of hoist w/o chain (lb)	
				B	C	L	R	J	K	H	W		M	1ph
5X14	1/2	1	19	7/8	15 1/2	7 1/8	5/8	5 3/8	6 3/8	17 1/4	5 7/8	21 5/8	0.38	97
			52							19 3/4				
			82							24 1/2				
	1	2	19 (*)	1	17 7/8	9 5/8	7/8	4 7/8 (**)	7 1/4	17 1/4	5 7/8	21 5/8	0.38	82
			52 (*)							19 3/4				
			82 (*)							24 1/2				

(\*) In case of 2-fall hoist, available lifting height is half of the chain bag maximum capacity  
 (\*\*) In case of 2-fall hoist, Counter weight is not needed