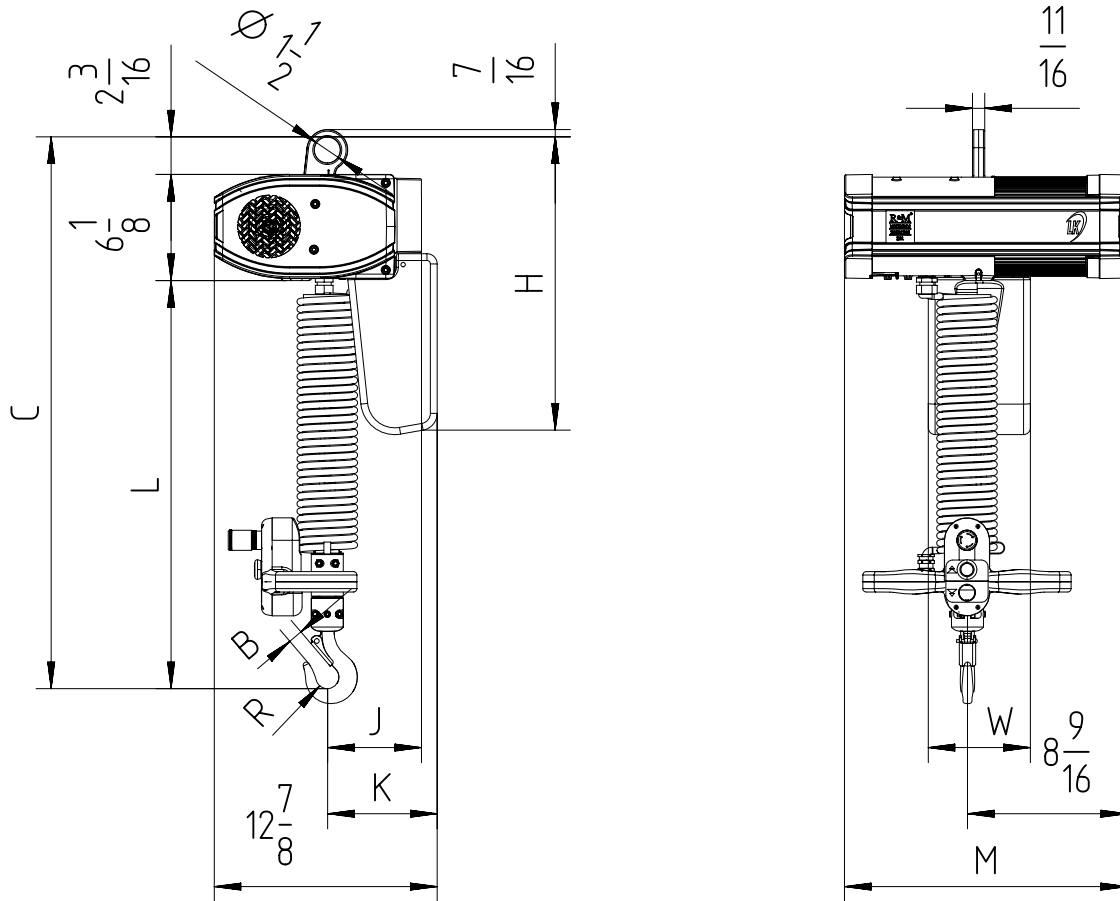


Digichain pendant with Eye suspended (perpendicular version)  
 Maximum height of lift: 10ft (option: 15ft)



Up to 15ft Height of lift, add  $5\frac{1}{8}$  inch to the "C" and "L" dimension.

Chain Size (mm)	Max load (TON)	Falls	Chain bag capacity (ft)	Dimensions (inch)										Weight of chain (lb/ft)	Estimated unit weight w/o chain (lb)			
				B	C	L	R	J	K	H	W	M			LK	LK Inverter	GLS	DB
												LK	LK Inverter/DB/ GLS					
5X14	$\frac{1}{2}$	1	19	$\frac{7}{8}$	$35\frac{7}{8}$	$27\frac{1}{2}$	$\frac{5}{8}$	$5\frac{3}{8}$	$6\frac{6}{8}$	$17\frac{1}{4}$	$5\frac{7}{8}$	$16\frac{3}{8}$	$21\frac{5}{8}$	0.38	90	110	99	104

GLS: Gear Limit Switch  
 DB : Double Brake