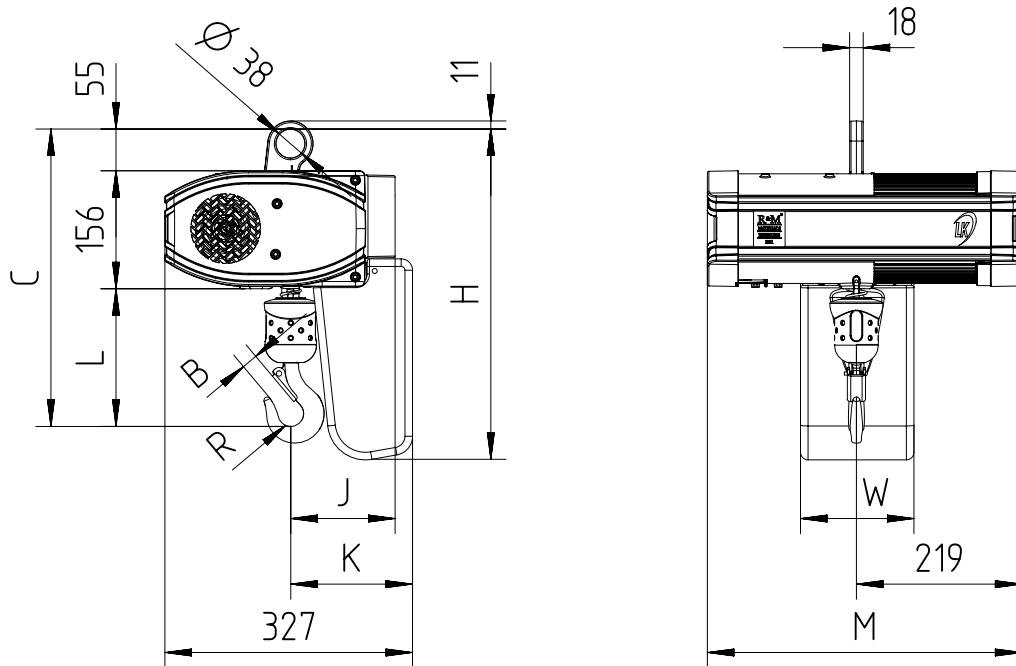


Eye suspended (perpendicular version)



Chain Size (mm)	Max load (kg)	Falls	Chain bag capacity (m)	Dimensions (mm)										Weight of chain (kg/m)	Estimated weight of hoist w/o chain (kg)			
				B	C	L	R	J	K	H	W	M			LK	LK Inverter	GLS	DB
												LK	LK Inverter/DB/GLS					
5X14	630	1	6	21	393	182	17	138	161	437	150	416	548	0.57	38	47	42	44
			16							502								
			25							622								

 GLS: Gear Limit Switch
 DB : Double Brake