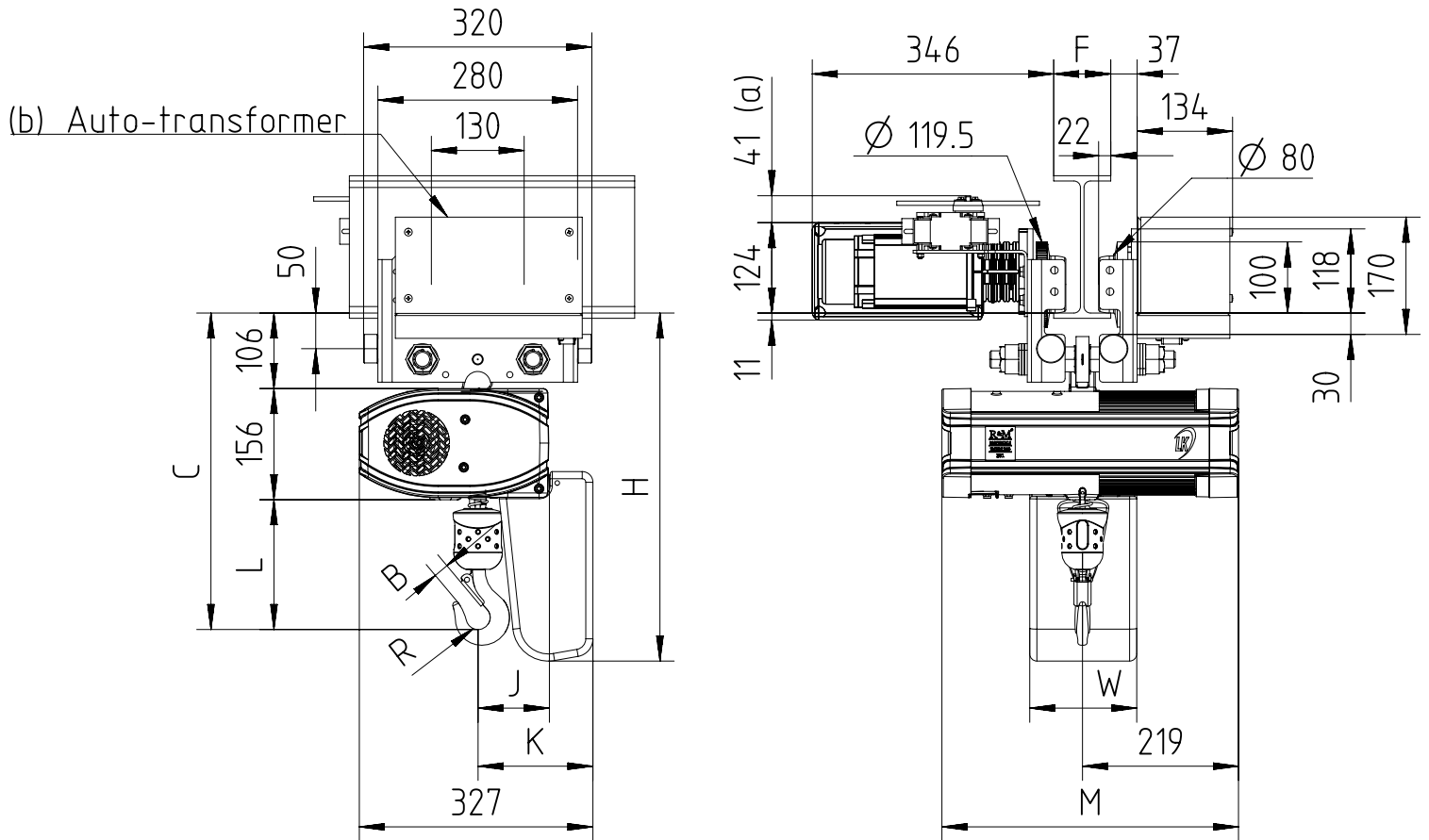


Fixed to electric travel trolley C2 max 630 kg (perpendicular version)


 $64 < F < 310$

(a) Note: Trolley limit switch is optional.
 (b) If the voltage is less than 380V or more than 480V, the trolley motor needs an auto-transformer as drawn.
 Note: Mini. radius of curve for C2 trolley is 2m.

Chain Size (mm)	Max load (kg)	Falls	Chain bag capacity (m)	Dimensions (mm)										Weight of chain (kg/m)	Estimated weight of hoist incl. trolley w/o chain (kg)			
				B	C	L	R	J	K	H	W	M			LK	LK Inverter	GLS	DB
												LK	Inverter/DB/ GLS					
5X14	630	1	6	21	444	182	17	100	161	488	150	408	540	0.57	79	88	83	85
			16							553								
			25							673								

GLS: Gear Limit Switch
 DB : Double Brake