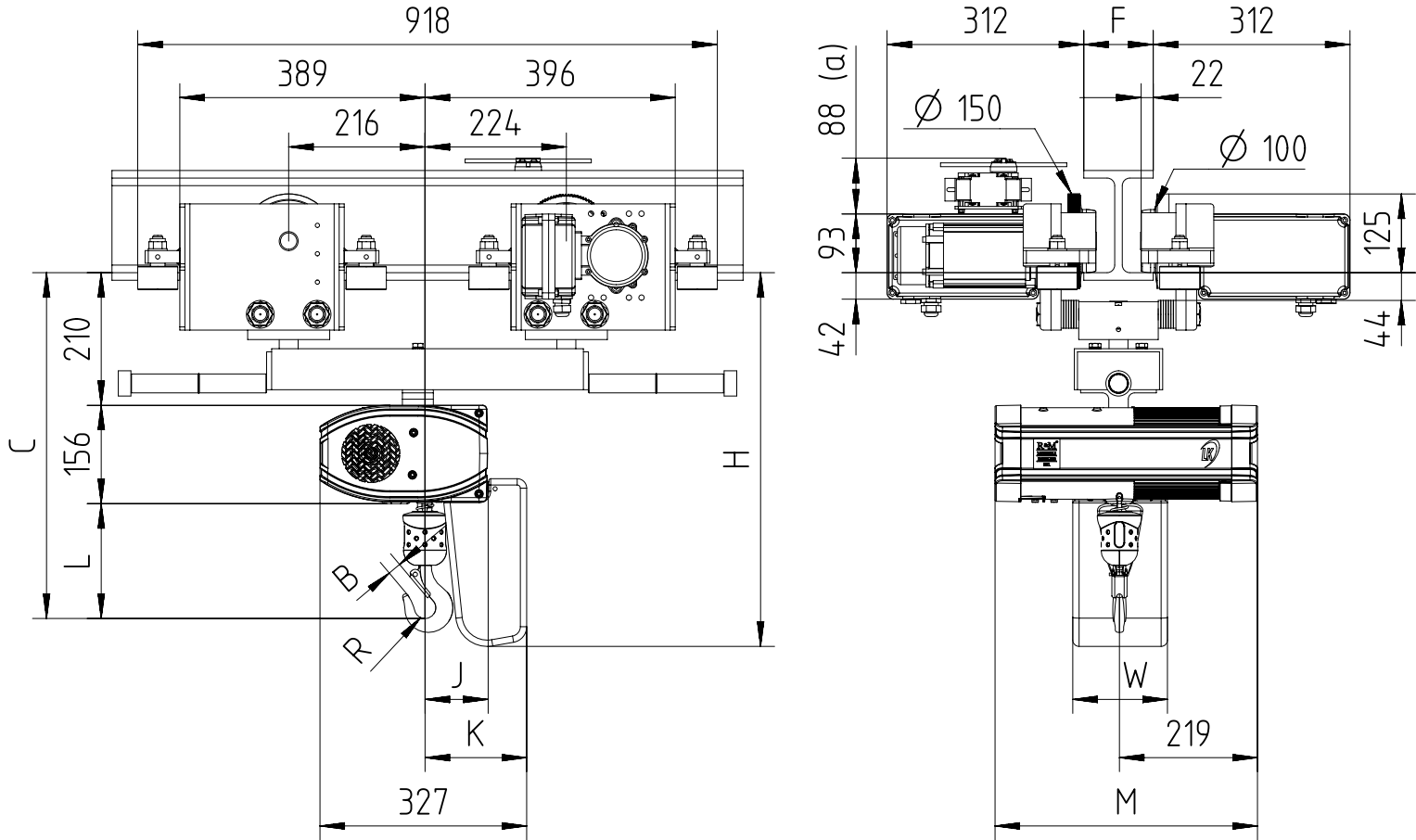


With electric travel swivelling trolley max 630 kg (perpendicular version)


 $100 < F < 310$

(a) Note: Trolley limit switch is optional.
 Note: Mini. radius of curve for trolley 630 kg is 0.8m.

Chain Size (mm)	Max load (kg)	Falls	Chain bag capacity (m)	Dimensions (mm)										Weight of chain (kg/m)	Estimated weight of hoist incl. trolley w/o chain (kg)			
				B	C	L	R	J	K	H	W	M			LK	LK Inverter	GLS	DB
												LK	LK Inverter/DB/GLS					
5X14	630	1	6	21	548	182	17	100	161	592	150	416	548	0.57	122	131	126	128
			16							657								
			25							777								

GLS: Gear Limit Switch
 DB : Double Brake