



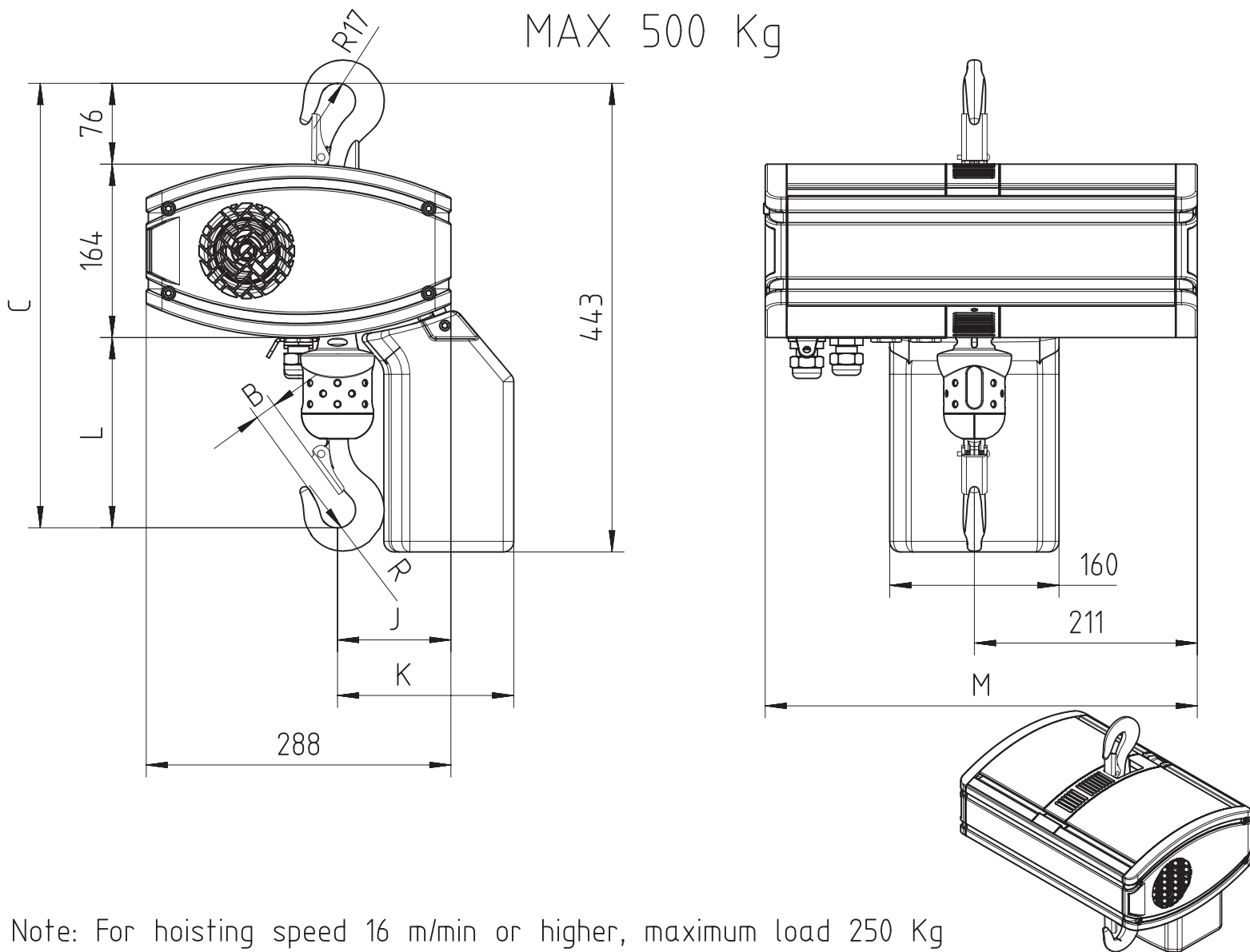
R&M

MATERIALS HANDLING

DIMENSIONS

Hook suspended - 1 Fall (perpe

MAX 500 Kg



Note: For hoisting speed 16 m/min or higher, maximum load 250 Kg and chain size is 4x11, add 63 mm to dimension C and L.

Chain Size	Max load Kg	Chain bag capacity m	Dimensions in mm						Weight per meter Kg/m	Estimated unit weight w/o chain Kg			
			B	C	L	R	J	K		LK	LK Inverter	GLS	DB
5x14	500	8	21	320	180	17	10	167	0.57	30.1	34	32.3	31.2
4x11	250	12	19	396	156	15	109	169	0.37				
Dimension M in mm										408	531	498	438

GLS: Gear Limit Switch
DB : Double Brake