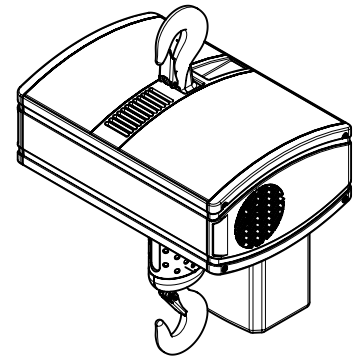
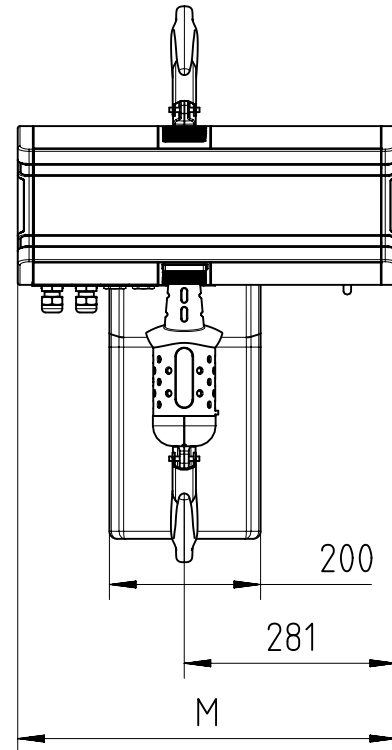
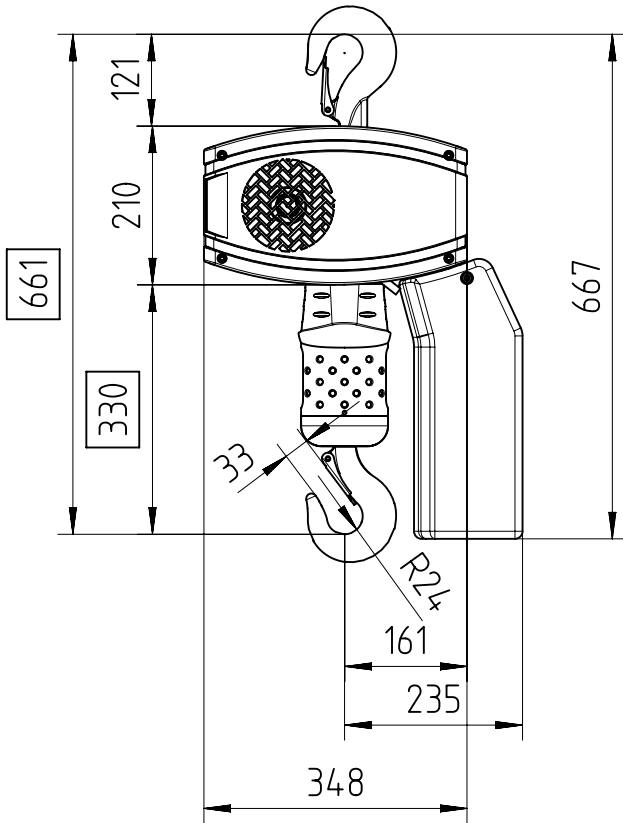


Hook suspended - 2 falls (perpendicular version)

MAX 2000 Kg



Note: For hoisting speed 16 m/min and higher, add 63 mm to dimension 661 and 330.

Chain Size	Max load kg	Chain bag capacity m	Weight per meter of chain Kg/m	Estimated unit weight w/o chain Kg			
				LK	LK Inverter	GLS	DB
7X20	2000	10	1.10	56.2	60.3	59.3	57.4
Dimension M in mm				501	615	590	539

GLS: Gear Limit Switch  
DB : Double Brake