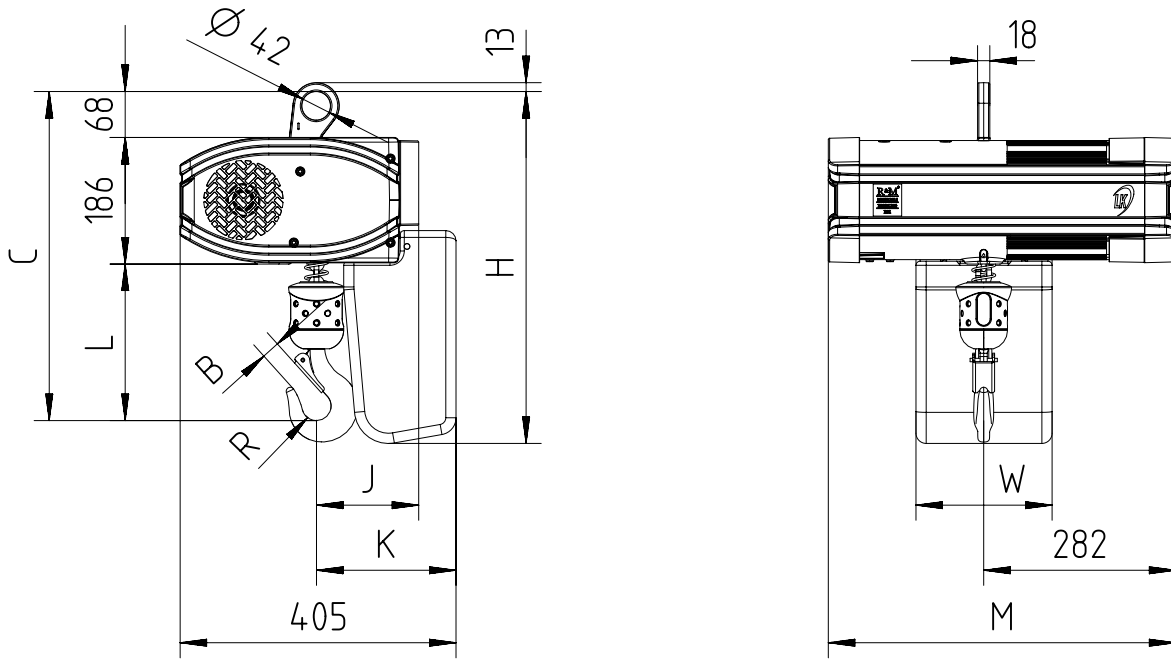


Eye suspended (perpendicular version)



Note: In case of 2-fall hoist, eye suspension is rotated by 180°.

Chain Size (mm)	Max load (kg)	Falls	Chain bag capacity (m)	Dimensions (mm)										Weight of chain (kg/m)	Estimated weight of hoist w/o chain (kg)						
				B	C	L	R	J	K	H	W	M			LK	LK Invertet	GLS	DB			
												LK Invertet/DB/ GLS									
7X20	1250	1	6	27	484	230	21	150	205	517	658	200	510	641	1.1	55	64	57	64		
			16																	728	
			30																	728	
	2500	2	6 (*)	33	554	300	24	154 (**)	236	517	658	728	200	510	641	1.1	50	59	52	59	
			16 (*)																		658
			30 (*)																		728

GLS: Gear Limit Switch
DB : Double Brake

(*) In case of 2-fall hoist, available lifting height is half of the chain bag maximum capacity
(**) In case of 2-falls hoist, Counter weight is not needed.