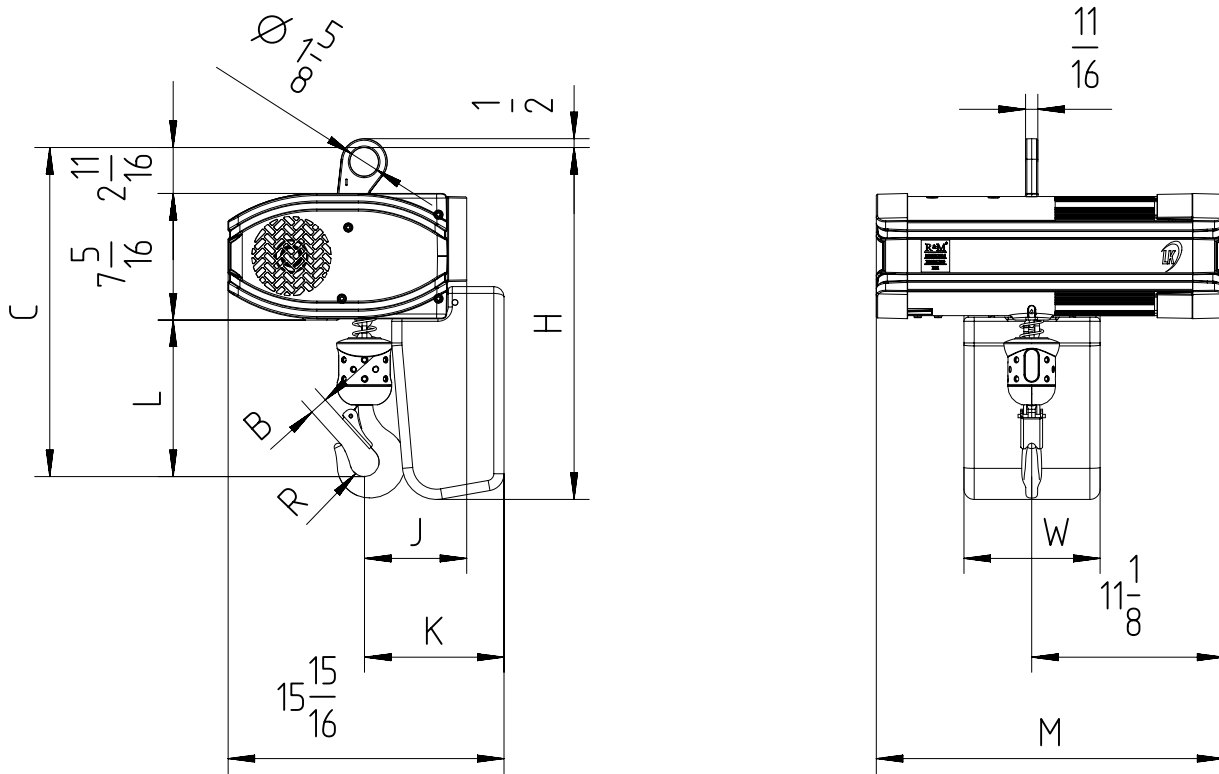


Eye suspended (perpendicular version)



Note: In case of 2-fall hoist, eye suspension is rotated by 180°.

Chain Size (mm)	Max load (TON)	Falls	Chain bag capacity (ft)	Dimensions (inch)										Weight of chain (lb/ft)	Estimated weight of hoist w/o chain (lb)			
				B	C	L	R	J	K	H	W	M			LK	LK Inverter	GLS	DB
												LK	LK Inverter/DB/ GLS					
7X20	$1 \frac{1}{4}$	1	19	1	19	9	$\frac{7}{8}$	$5 \frac{7}{8}$	$8 \frac{1}{8}$	$20 \frac{3}{8}$	$7 \frac{7}{8}$	$20 \frac{1}{16}$	$25 \frac{1}{4}$	0.75	121	141	126	141
			52							$25 \frac{7}{8}$								
			98							$28 \frac{5}{8}$								
	$2 \frac{1}{2}$	2	19 (*)	$1 \frac{1}{4}$	$21 \frac{3}{4}$	$11 \frac{3}{4}$	1	$\frac{6}{(*) (*)}$	$9 \frac{1}{4}$	$20 \frac{3}{8}$	$7 \frac{7}{8}$	$20 \frac{1}{16}$	$25 \frac{1}{4}$	0.75	110	130	115	130
			52 (*)							$25 \frac{7}{8}$								
			98 (*)							$28 \frac{5}{8}$								

GLS: Gear Limit Switch
 DB : Double Brake

(*) In case of 2-fall hoist, available lifting height is half of the chain bag maximum capacity
 (***) In case of 2-fall hoist, Counter weight is not needed