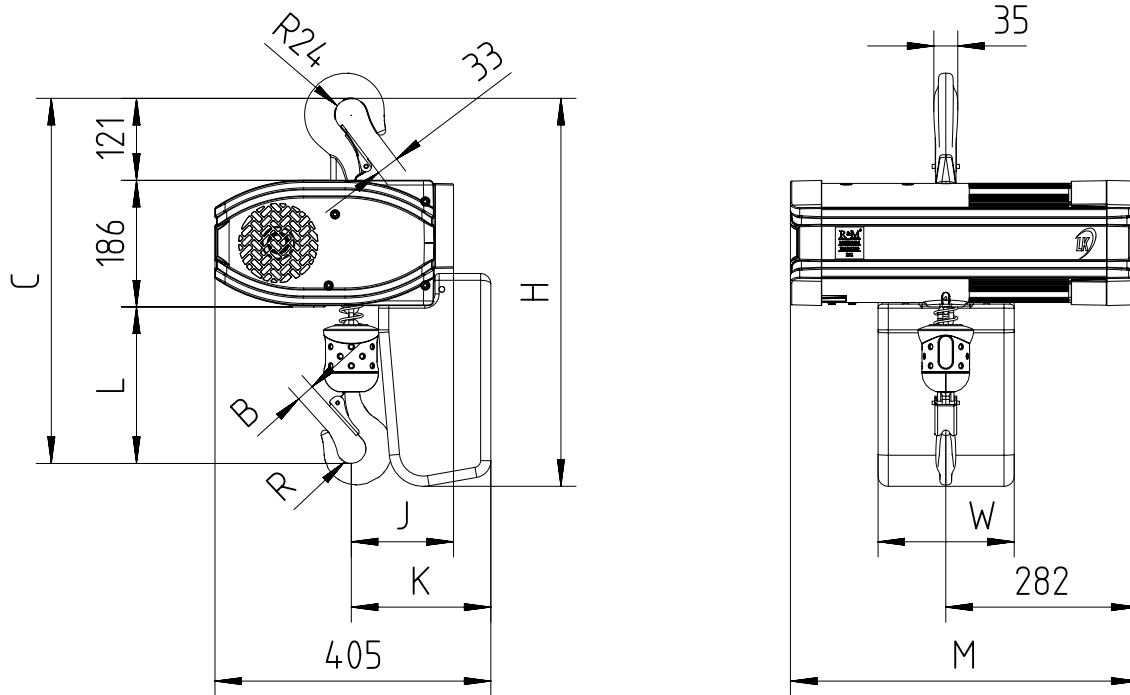


## Hook suspended (perpendicular version)



Note: In case of 2-fall hoist, hook suspension is rotated by 180°.

Chain Size (mm)	Max load (kg)	Falls	Chain bag capacity (m)	Dimensions (mm)										Weight of chain (kg/m)	Estimated weight of hoist w/o chain (kg)			
				B	C	L	R	J	K	H	W	M			LK	LK Inverter	GLS	DB
												LK	LK Inverter/DB/GLS					
7X20	1250	1	6	27	537	230	21	150	205	570	200	510	641	1.1	56	65	58	65
			16							711								
			30							781								
	2500	2	6 (*)	33	607	300	24	154 (**)	236	570	200	510	641	1.1	51	60	53	60
			16 (*)							711								
			30 (*)							781								

GLS: Gear Limit Switch  
 DB : Double Brake

(\*) In case of 2-fall hoist, available lifting height is half of the chain bag maximum capacity  
 (\*\*\*) In case of 2-falls hoist, Counter weight is not needed.