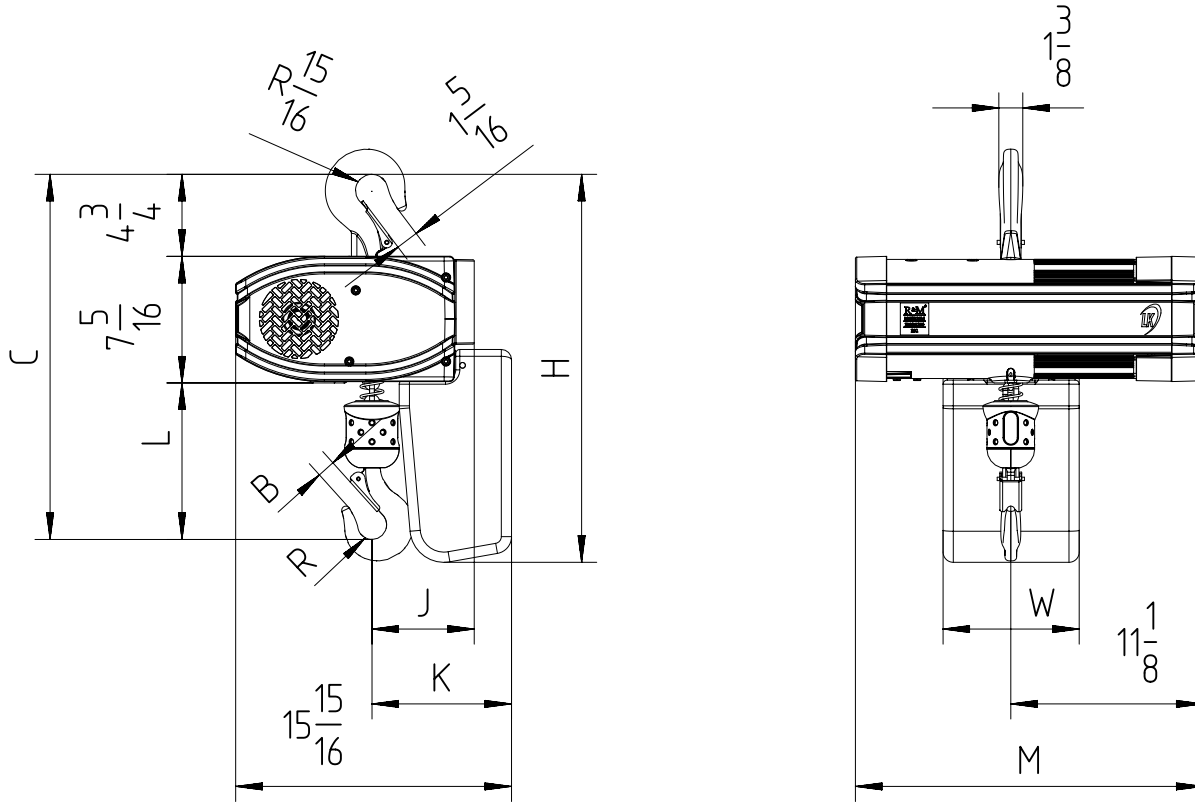


Hook suspended (perpendicular version)



Note: In case of 2-fall hoist, hook suspension is rotated by 180°.

Chain Size (mm)	Max load (TON)	Falls	Chain bag capacity (ft)	Dimensions (inch)										Weight of chain (lb/ft)	Estimated weight of hoist w/o chain (lb)			
				B	C	L	R	J	K	H	W	M			LK	LK Inverter	GLS	DB
												LK	LK Inverter/DB/GLS					
7X20	1 1/4	1	19	1 1/16	21 1/8	9 1/16	13/16	5 15/16	8 1/16	22 7/16	7 7/8	20 1/16	25 1/4	0.75	124	144	128	144
			52							28								
			98							30 3/4								
	2	2	19 (*)	1 5/16	23 7/8	11 13/16	15/16	6 1/16 (**)	9 5/16	22 7/16	7 7/8	20 1/16	25 1/4	0.75	113	133	117	133
			52 (*)							28								
			98 (*)							30 3/4								

GLS: Gear Limit Switch
DB : Double Brake

(*) In case of 2-fall hoist, available lifting height is half of the chain bag maximum capacity
(**) In case of 2-falls hoist, Counter weight is not needed.