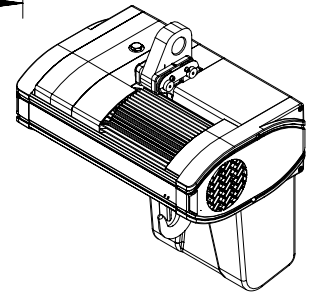
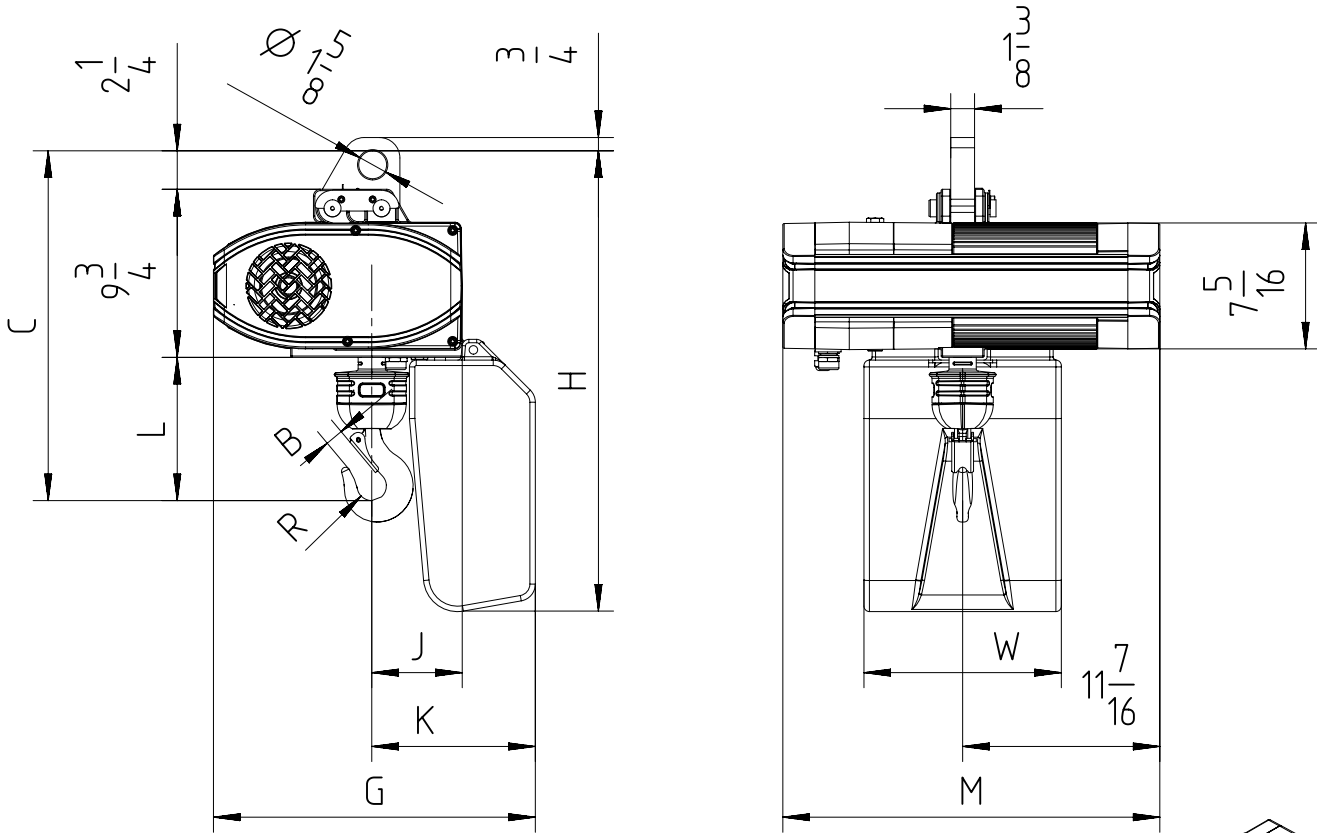


## Eye suspended (perpendicular version)



Note: In case of 2-fall hoist, suspension eye is rotated by 180°.  
 Note: Add 2 3/8 inch to C & L dimension for hoisting speeds greater than 32 fpm.

Chain Size (mm)	Max load (TON)	Falls	Chain bag capacity (ft)	Dimensions [inch]											Weight of chain (lb/ft)	Estimated weight of hoist w/o chain (lb)		
				B	C	L	R	J	K	G	H	W	M			LK	GLS	DB
													LK/GLS	DB				
9x27	1 1/2	1	39	1	20 1/4	8 1/4	7 8	5 1/8	9 7/16	18 5/8	26 5/8	11 7/16	21 13/16	26 5/16	1.2	194	205	214
			164 (*)						16 5/8	25 3/4	35 1/16	11 13/16						
			262 (*)						19 7/16	27 5/8	43							
	3	2	39 (**)	1 3/8	25 3/16	13 1/4	1	6 3/8	11 1/8	18 5/8	26 5/8	11 7/16	21 13/16	26 5/16	1.2	203	214	223
			164 (*, **)						18 1/4	25 3/4	35 1/16							
			262 (*, **)						21 1/8	27 5/8	43							

GLS: Gear Limit Switch  
 DB: Double Brake

(\*) For these heights of lift, customer has to link the chain bag to the structure.  
 (\*\*) In case of 2-fall hoist, available lifting height is half of the chain bag maximum capacity.