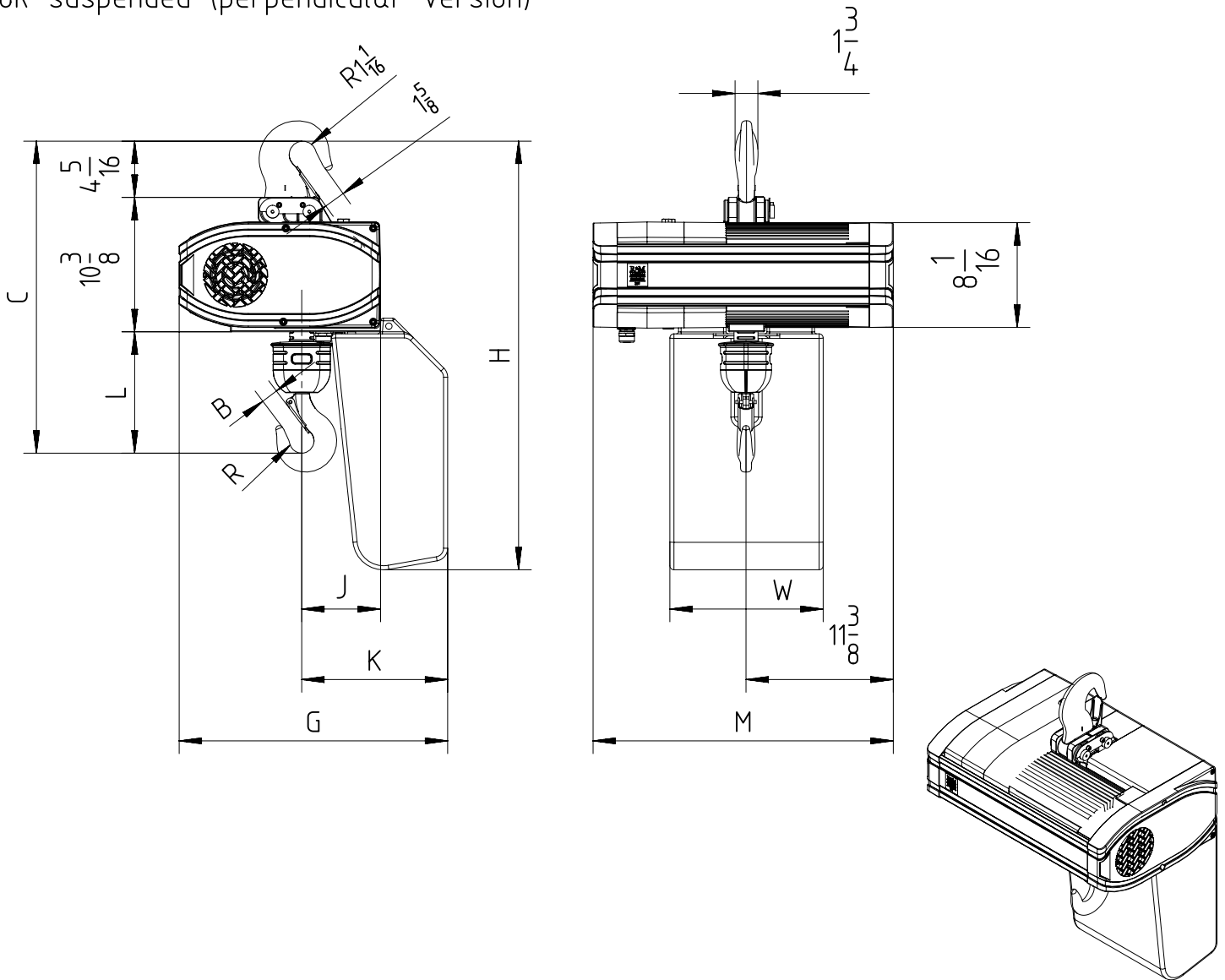


Hook suspended (perpendicular version)



Note: In case of 2-fall hoist, suspension hook is rotated by 180°.
 Note: Add 2 3/8 inch to C & L dimension for hoisting speeds greater than 32 fpm.

Chain Size (mm)	Max load (TON)	Falls	Chain bag capacity (ft)	Dimensions (inch)										Weight of chain (lb/ft)	Estimated weight of hoist w/o chain (lb)			
				B	C	L	R	J	K	G	H	W	M		LK	GLS	DB	
													LK/GLS					DB
11.3x31	2 1/2	1	39	1 5/16	24 1/16	9 3/8	15 1/16	6 1/16	11 1/4	20 11/16	33	11 13/16	23 1/8	27 15/16	1.9	238	249	251
			98 (*)						17 7/16	26 7/8	37 13/16							
			164 (**)						20 1/4	29 11/16	45 11/16							
	5	2	39 (**)	1 5/8	28	15 1/4	1 1/8	8	13 3/8	20 11/16	33	11 13/16	23 1/8	27 15/16	1.9	247	258	260
			98 (*, **)						19 5/16	26 7/8	37 13/16							
			164 (*, **)						22 3/16	29 11/16	45 11/16							

GLS: Gear Limit Switch
 DB: Double Brake

(*) For these heights of lift, customer has to link the chain bag to the structure.
 (**) In case of 2-fall hoist, available lifting height is half of the chain bag maximum capacity.