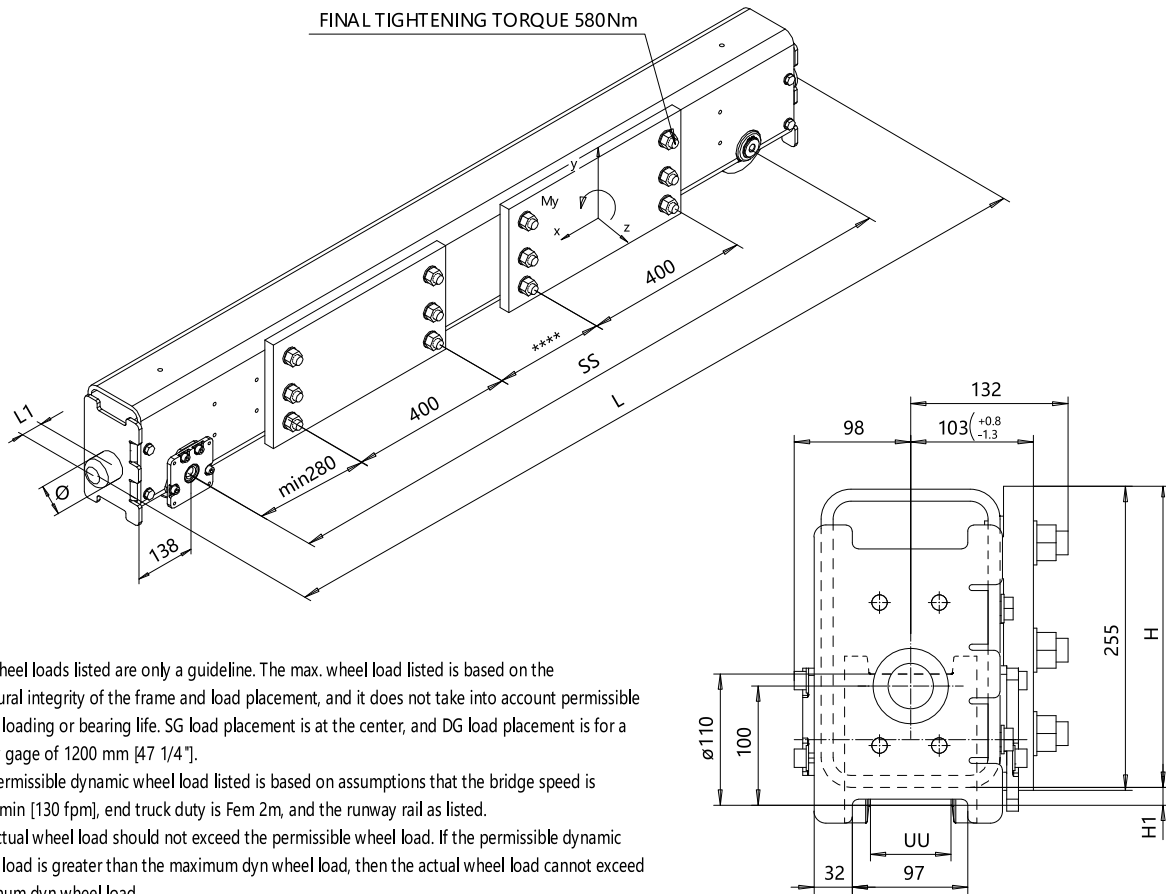


RSN11 END TRUCK

SI-50/60Hz

For single and double girder cranes



The wheel loads listed are only a guideline. The max. wheel load listed is based on the structural integrity of the frame and load placement, and it does not take into account permissible wheel loading or bearing life. SG load placement is at the center, and DG load placement is for a trolley gage of 1200 mm [47 1/4"].

The permissible dynamic wheel load listed is based on assumptions that the bridge speed is 40 m/min [130 fpm], end truck duty is Fem 2m, and the runway rail as listed.

The actual wheel load should not exceed the permissible wheel load. If the permissible dynamic wheel load is greater than the maximum dyn wheel load, then the actual wheel load cannot exceed maximum dyn wheel load.

Dynamic wheel = 1.15 x static wheel load

| SS | H | H1 | SG | | DG | | Permissible dyn wheel load | | |
|------|------|------|------|------------------|------|------------------|----------------------------|---------|-----------|
| | | | WT | Max dyn whl load | WT | Max dyn whl load | ASCE 30 | ASCE 40 | 2" SQ BAR |
| [mm] | [mm] | [mm] | [kg] | [kN] | [kg] | [kN] | [kN] | [kN] | [kN] |
| 1600 | 253 | 15 | 153 | 46 | 179 | 46 | 27.7 | 31.9 | 40.9 |
| 2000 | 253 | 15 | 176 | 46 | 202 | 46 | 27.7 | 31.9 | 40.9 |
| 2500 | 253 | 15 | 204 | 46 | 230 | 46 | 27.7 | 31.9 | 40.9 |
| 3150 | 253 | 15 | 241 | 46 | 267 | 46 | 27.7 | 31.9 | 40.9 |

$$L = SS + 276 + 2*L1$$

Available only with ductile iron wheel.

$$UU = 52...82$$

RSN11 end truck is compatible with the GES3 gear motor and can be equipped with a second gear motor.

If the crane speed is faster, the duty group is more severe, or the actual runway rail is narrower, then the maximum allowable dynamic wheel load must be re-evaluated.

| Suitable buffers | | |
|-----------------------|---------|---------|
| Code | D1 [mm] | L1 [mm] |
| A | 63 | 53 |
| B | 80 | 68 |
| C | 100 | 85 |
| K | 80 | 80 |
| G | 100 | 100 |
| E | 100 | 150 |
| A, B, C: Rubber | | |
| K, G, E: Polyurethane | | |

| | | | | |
|------------------------|--------------|------|-------------|------------------------|
| ETVPH Design | ETVPH Chd | Appd | Ref Drawing | EBN11 |
| 2007-03-27 Date | END TRUCK | | | 1:1 fobler EBN11 |
| SLEQDOCV Owner Dept | RSN11 | | | |
| D004907-A | | | | Issue |