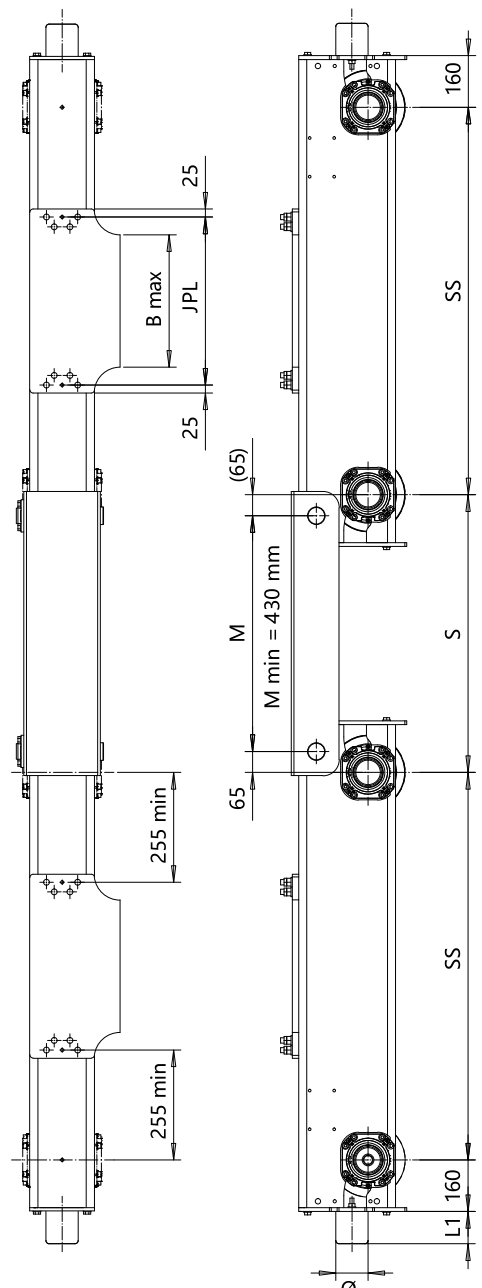


This document is the absolute property of R&M Materials Handling, Inc. This document must not be copied without the written permission of R&M Materials Handling, Inc. The contents thereof must not be disclosed to a third party nor be used for any unauthorized purpose. Contention will be prosecuted.

RT N20B END TRUCK TOP JOINT PLATE TYPE L

**JOINT PLATE BOLT
TIGHTENING TORQUE**
M16 Bolt - Torque to 300Nm
M20 Bolt - Torque to 580 Nm



UU = 54 mm - 94 mm

The wheel loads listed are only a guideline. The max wheel load listed is based on the structural integrity of the frame and load placement, and it does not take into account permissible wheel loading or bearing life. SG load placement is at the center, and DG load placement is for a trolley gauge of 1400 mm (55 1/8").

The permissible dynamic wheel load listed is based on assumptions that the bridge speed is 40 m/min (130 fpm), end truck duty is Fem 2m, and the runway rail as listed.

The actual wheel load should not exceed the permissible wheel load. If the permissible dynamic wheel load is greater than the maximum dyn wheel load, then the actual wheel load cannot exceed maximum dyn wheel load.

Dyn wheel load = 1.15 x static wheel load

- N=standard, E=Special
- primer paint, color code
- Inner wheel distance =S
- Buffer type
- Joint plate distance =PP, (pin to pin, with double girder)
- Joint plate code
- =IWD, D =2WD
- Wheel groove =UU
- Wheel base =SS
- B =bogie
- Type of end carriage

(Product Code example)
RT N20B1274-141540C0860-N

Buffer type	L1 (mm)	Ø (mm)
A	53	63
B	68	80
C	85	100
D	105	125
K	80	80
G	100	100
E	150	100
F	190	125
H	160	160
I	200	200
M	125	125
P	240	160
S	300	200
K, G, E, F, H, I, M, P, S polyurethane		

Joint plate	Thickness (mm)	JPL (mm)	B MAX (mm)
L3	25	410	300
L4	20	520	410
L5	20	630	520
L6	20	740	630

Wheelbase Code	SS (mm)	Max dyn whl load (kN)	Permissible dyn whl load (kN)	ASCE 40	ASCE 60	ASCE 85	Approx. Weight (kg)
12	1200	132	88	65.9	88	98	376
14	1400	132	88	65.9	88	98	405
16	1600	132	88	65.9	88	98	434
18	1800	132	88	65.9	88	98	463
20	2000	132	88	65.9	88	98	492

Rev	Description	Specification	ETV/PH Cnd	App'd	Ref Drawing
Design	2008-05-23				
Draw					
R&M MATERIALS HANDLING R&M MATERIALS HANDLING, INC. 1110 ECN20 Folder RTN20B-L RTN20B END TRUCK TOP JOINT					
Date	06/20/21				