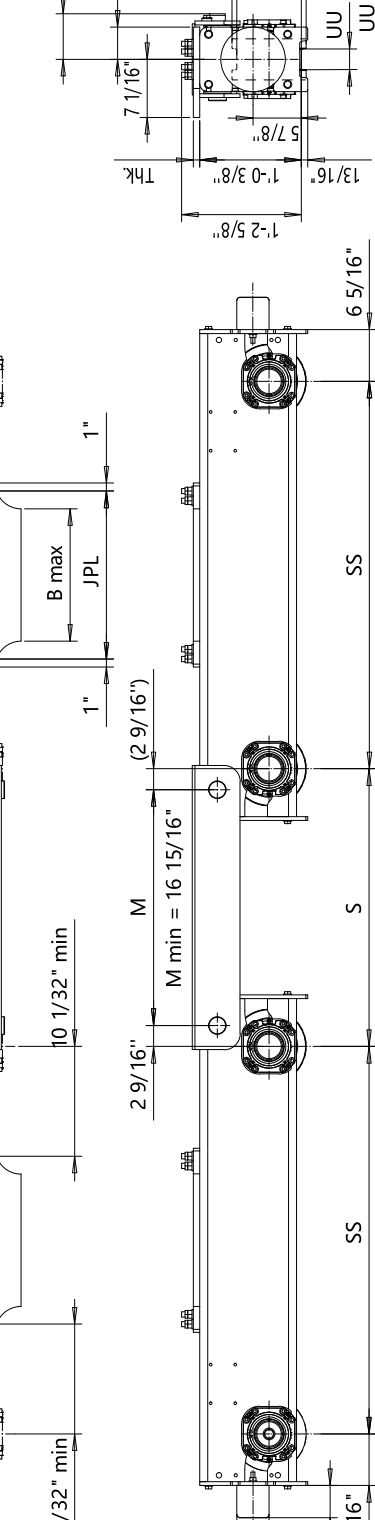


RT N20B END TRUCK TOP JOINT PLATE TYPE L

**JOINT PLATE BOLT
 TIGHTENING TORQUE**
 M16 Bolt - Torque to 221 ft-lb
 M20 Bolt - Torque to 427 ft-lb



The wheel loads listed are only a guideline. The max wheel load listed is based on the structural integrity of the frame and load placement, and it does not take into account permissible wheel loading or bearing life. SG load placement is at the center, and DG load placement is for a trolley gauge of 1400 mm (55 1/8").

The permissible dynamic wheel load listed is based on assumptions that the bridge speed is 40 m/min (130 fpm), end truck duty is Fem 2m, and the runway rail as listed.

The actual wheel load should not exceed the permissible wheel load. If the permissible dynamic wheel load is greater than the maximum dyn wheel load, then the actual wheel load cannot exceed maximum dyn wheel load.

Dyn wheel load = 1.15 x static wheel load

- N=standard, E=Special
- primer paint, color code
- Inner wheel distance =S
- Buffer type
- Joint plate distance =PP, (pin to pin, with double girder)
- Joint plate code
- = IWD, D =2WD
- Wheel groove =UU
- Wheel base =SS
- B =bogie
- Type of end carriage

(Product Code example)
RT N20B1274-141540C0860-N

Wheelbase Type	Max dyn whl load (kip)	Permissible dyn whl load (kip)	ASCE 40	ASCE 60	ASCE 85	Approx. Weight (lb)
SS 3'-11 1/4"	29.7	14.8	19.8	22	828	
12 4'-7 1/8"	29.7	14.8	19.8	22	892	
14 5'-3"	29.7	14.8	19.8	22	956	
16 5'-10 7/8"	29.7	14.8	19.8	22	1020	
18 6'-6 3/4"	29.7	14.8	19.8	22	1084	

Buffer type	L1	Ø
A	2 3/16"	2 1/2"
B	2 11/16"	3 3/16"
C	3 5/16"	3 15/16"
D	4 1/8"	4 15/16"
K	3 3/16"	3 3/16"
G	3 15/16"	3 15/16"
E	5 15/16"	3 15/16"
F	7 1/2"	4 15/16"
H	6 5/16"	6 5/16"
I	7 7/8"	7 7/8"
M	4 15/16"	4 15/16"
P	9 7/16"	6 5/16"
S	11 13/16"	7 7/8"
K, G, E, F, H, I, M, P, S polyurethane		

Joint plate	Thickness	JPL	B MAX
L3	1"	16.14"	11 13/16"
L4	13/16"	20.47"	16 3/16"
L5	13/16"	24.8"	20 1/2"
L6	13/16"	29.13"	24 13/16"

Pos	Description	Specification	Rev	Drawing
ETVPH	Design	ETVPH		
2008-05-23	Issue	END TRUCK		
		OUTLINE DRAWING		
		RTN20B-L		
		RTN20B END TRUCK TOP JOINT		

R&M RAILWAY MATERIALS HANDLING INC.
 RAILWAY MATERIALS HANDLING INC.
 1110 ECN20 Folder
 Date: 06/2021