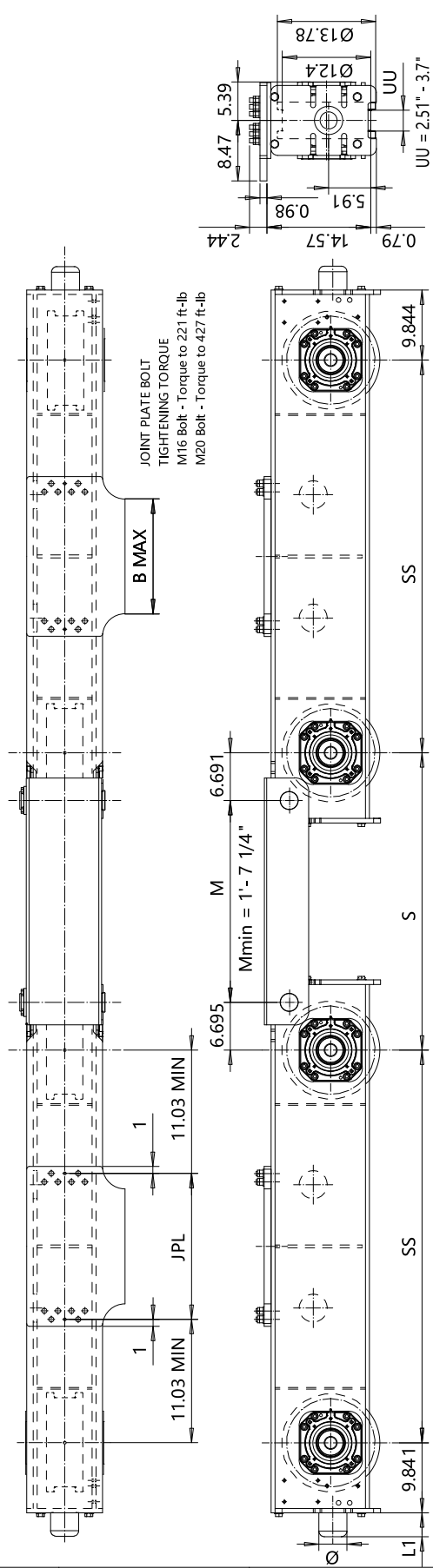


TOP JOINT PLATE TYPE K

RTN32B END TRUCK

This document is the absolute property of R&M Materials Handling, Inc. This document must not be copied without the written permission of R&M Materials Handling, Inc. The contents thereof must not be disclosed to a third party nor be used for any unauthorized purpose. Contamination will be prosecuted.



**JOINT PLATE BOLT
 TIGHTENING TORQUE**
 M16 Bolt - Torque to 221 ft-lb
 M20 Bolt - Torque to 427 ft-lb

Product Code example

RTN32B1474-K41940C0000-N

- N=standard, E=Special
- primer paint, color code (not in use with RTN32)
- Buffer type
- Joint plate distance, mm (pin to pin, with DG)
- Joint plate code
- =1WD, D =2WD (Number of driving wheels/truck)
- Wheel groove = UU, mm
- Wheel base = SS, mm
- =std, B=toggle
- Type of end carriage

Joint plate	JPL	B max
K4	20.47"	16.14"
K5	24.80"	20.47"
K7	33.46"	29.13"
K9	43.31"	38.98"

Minimum wheelbase with K9 joint plate is 5'-3" .

The wheel loads listed are only a guideline. The max. wheel load listed is based on the structural integrity of the frame and load placement, and it does not take into account permissible wheel loading or bearing life. Load placement is assumed at the center of each truck.

The permissible dynamic wheel load listed is based on assumptions that the bridge speed is 40 m/min (130 fpm), end truck duty is Fem 2m, and the runway rail is as listed.

The actual wheel load should not exceed the permissible wheel load. If the permissible dynamic wheel load is greater than the maximum dyn wheel load, then the actual wheel load cannot exceed maximum dyn wheel load.

Dynamic wheel load = 1.15 x static wheel load

Buffer type	L1	Ø
B	2 11/16"	3 3/16"
C	3 5/16"	3 15/16"
D	4 1/8"	4 15/16"
E	5 15/16"	3 15/16"
F	7 1/2"	4 15/16"
H	6 5/16"	6 5/16"
I	7 7/8"	7 7/8"
M	4 15/16"	4 15/16"
P	9 7/16"	6 5/16"
S	11 13/16"	7 7/8"
T	13 3/4"	9 7/8"
Y	18 3/4"	9 7/8"

B, C, D rubber
 K, G, E, F, H, I, M, P, S polyurethane

Wheelbase code	SS	Max dyn whl load (kip)	Permissible dyn whl load, (kip)	Approx. Wt./Trk, lb
14	4'-7 7/8"	56.93	ASCE 40 25.2 ASCE 60 33.9 ASCE 85 37.5 BETH 135 49.3	2276
16	5'-3"	56.93	ASCE 40 25.2 ASCE 60 33.9 ASCE 85 37.5 BETH 135 49.3	2391
18	5'-10 7/8"	56.93	ASCE 40 25.2 ASCE 60 33.9 ASCE 85 37.5 BETH 135 49.3	2506
20	6'-6 3/4"	56.93	ASCE 40 25.2 ASCE 60 33.9 ASCE 85 37.5 BETH 135 49.3	2621

Rev	Description	Specification	ETTPA Cnd	App'd	Ref Drawing
2008-08-11	Design		END TRUCK		
	Issue		OUTLINE DRAWING		
	Rev		RTN32B-K		
			RTN32B END TRUCK TOP JOINT		

R&M MATERIALS HANDLING, INC.
 11/2012