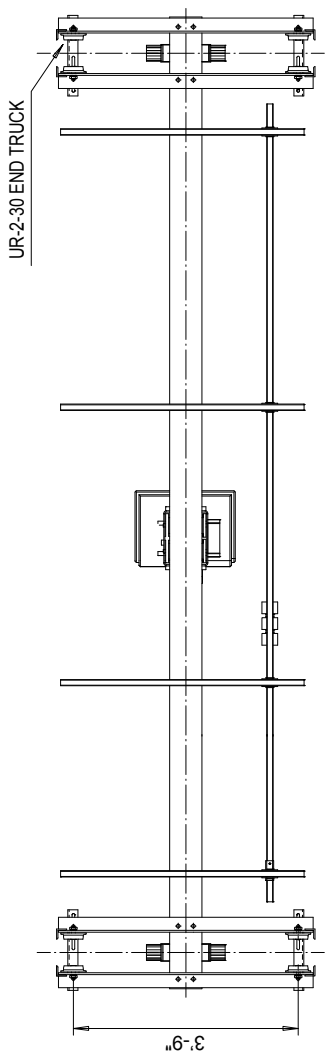
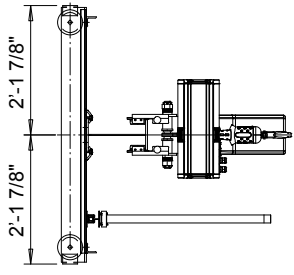
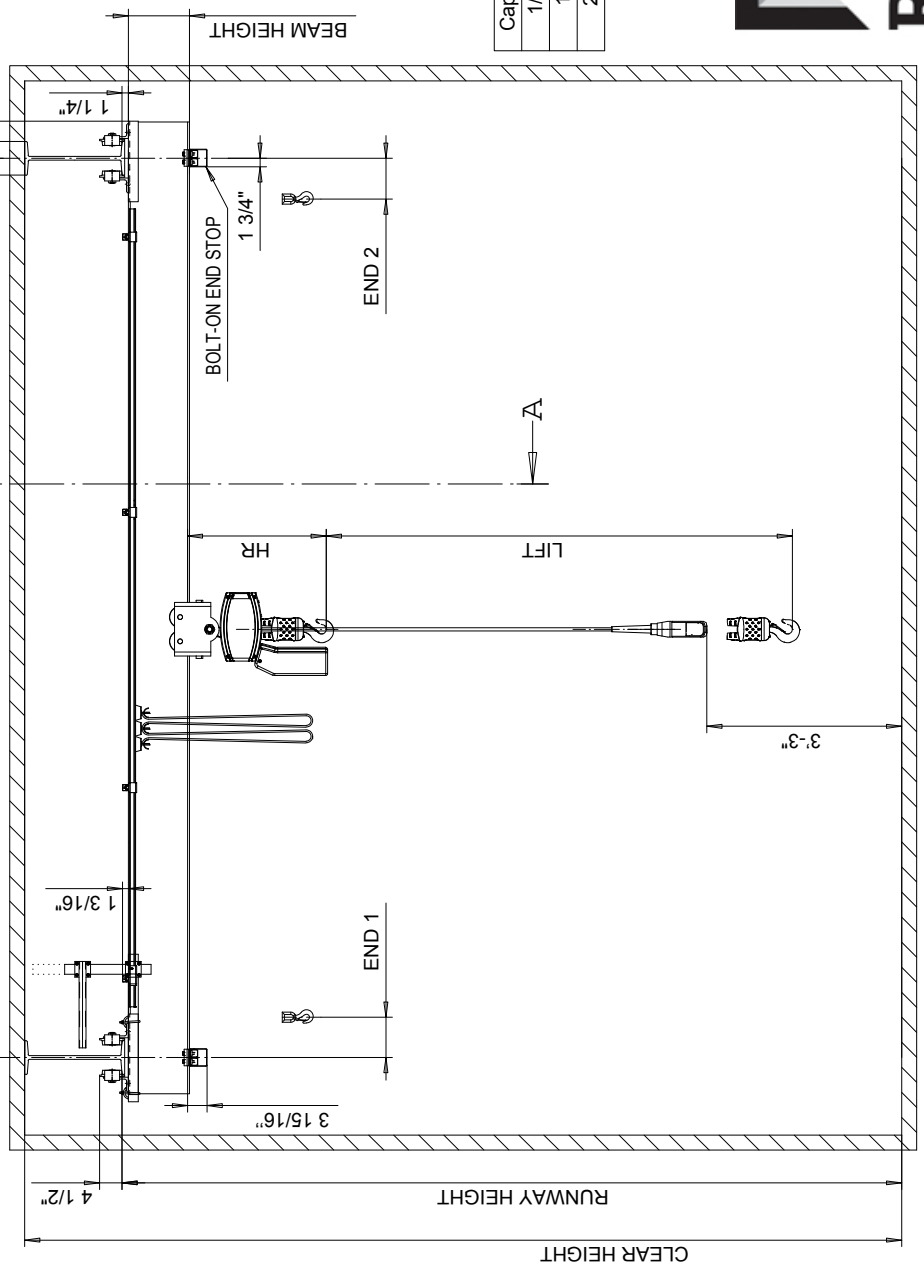


DETAIL - CRANE COLLECTOR ARM OPTION



4 1/16\"/>



VIEW A-A

Capacity	Hoist	HR	END 1	END 2
1/2 T	LK05 C - 1 fall	17 3/4"	5 7/8"	5 7/8"
1 T	LK10 C - 1 fall	23"	6 11/16"	6 11/16"
2 T	LK10 C - 2 fall	28"	7 9/16"	7 9/16"



QLP SGUR PUSH CRANE