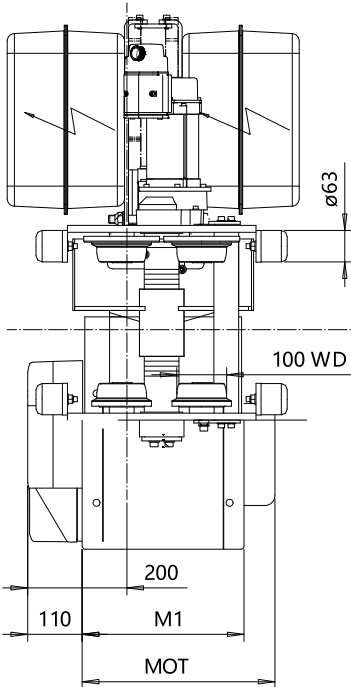
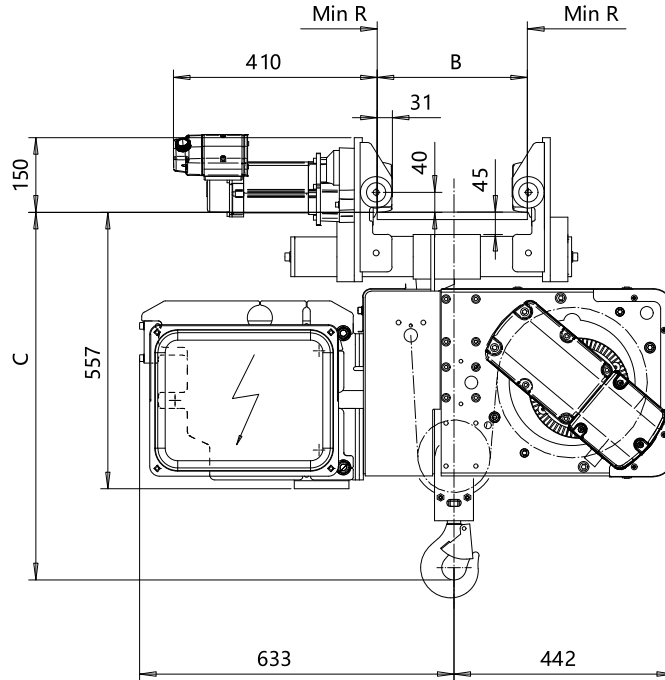
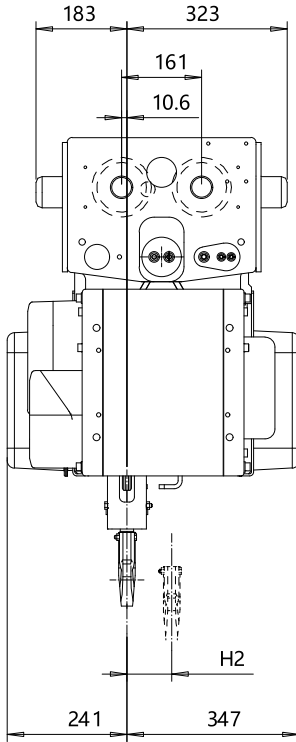


NORMAL HEADROOM, 2 PART SINGLE

Hoist type:
 SX2021..N0
 SX3021..N0

SI



Motor	P1	P2	P3	A3	S3
MOT (mm)	385	446	476	446	526
Weight (kg)	21	31	35	32	28

Minimum Radius Curve	
Flange, B (mm)	Min R (mm)
100 - 109	2500
110 - 119	2000
120 - 450	1500

Headroom - C dimension	
Standard	793 mm
with HS22 Hook operated limit switch	863 mm

HOL (m)	Length code	H2 (mm)	M1 (mm)	Approx Weight (kg)
12	A	90	326	250
19	C	144	456	270

Load (kg)	Class Fem/ISO
800	3m/M6
1000	2m/M5
1250	3m/M6
1600	2m/M5

Approx. weight calculated with P1 motor.

This document is the absolute property of R&M Materials Handling, Inc. This document must not be copied without the written permission of R&M Materials Handling, Inc. The contents thereof must not be disclosed to a third party nor be used for any unauthorized purpose. Contravention will be prosecuted.

ETPAL Design	ETPAL Chd	Appd	Ref Drawing	QA-N-02
2002-08-26 Date	TROLLEY; NORMAL HEADROOM			1.6.5 FoMar
SLEDDOCV Owner Dept	2 ROPE FALLS			
R&M MATERIALS HANDLING INC.	R&M MATERIALS HANDLING INC HOIST & CRANE PRODUCTS SPRINGFIELD OHIO			Issue 12
D002077-A				