

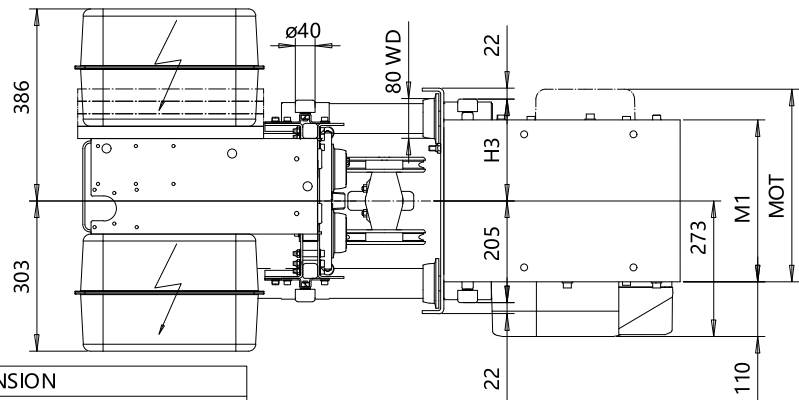
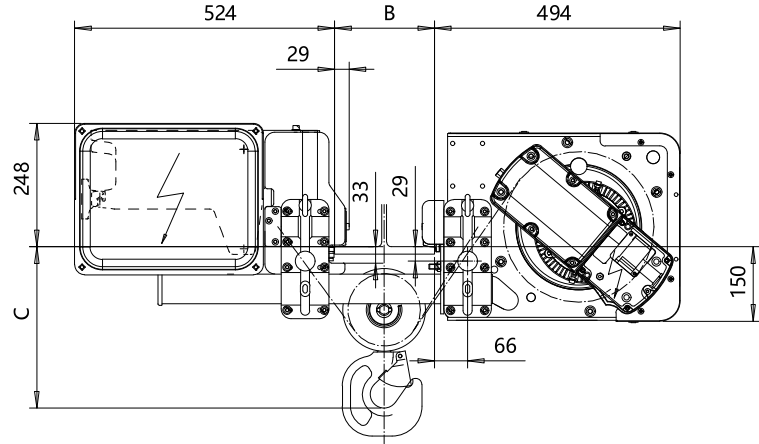
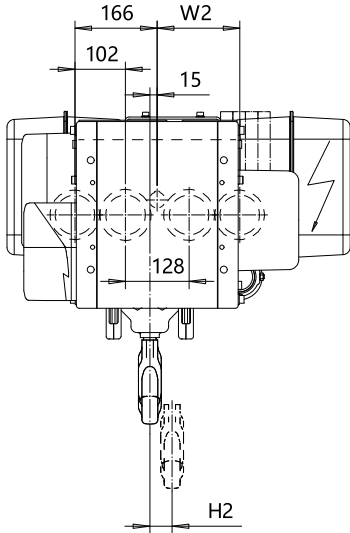
LOW HEADROOM, 4 PART SINGLE

Hoist type:

SX2 041..L0

SX3 041..L0

SI



HEADROOM TABLE - C DIMENSION		
Flange Width, B (mm)	Headroom, C (mm)	with HS22 Hook oper limit switch (mm)
80 - 270	410	485
271 - 320	380	485
321 - 370	410	485
371 - 410	435	485
411 - 460	465	485
461 - 510	495	495
511 - 560	525	525
561 - 610	555	555
611 - 660	585	585
661 - 690	610	610

Headroom is related to the flange width

HOL (m)	Length code	M1 (mm)	H2 (mm)	H3 (mm)	W2 (mm)	Approx Weight (kg)
6	A	326	45	203	166	180
9.5	C	456	72	270	231	200

Load (kg)	Class Fem/ISO
1600	3m/M6
2000	2m/M5
2500	3m/M6
3200	2m/M5

Motor	P1	P2	P3	A3	S3
MOT (mm)	385	446	476	446	526
Weight (kg)	21	31	35	32	28

Design	Chd	Appd	Ref Drawing	QA-L-04
Date	TROLLEY; LOW HEADROOM			1:6.5 FolMir
SLEQMECE Owner Dept	4 ROPE FALLS			
R&M MATERIALS HANDLING INC.	R&M MATERIALS HANDLING, INC. HOIST & CRANE PRODUCTS SPRINGFIELD OHIO			D002080-A
This document is the absolute property of R&M Materials Handling, Inc. This document must not be copied without the written permission of R&M Materials Handling, Inc. The contents thereof must not be disclosed to a third party nor be used for any unauthorized purpose. Contravention will be prosecuted.				Issue 9