

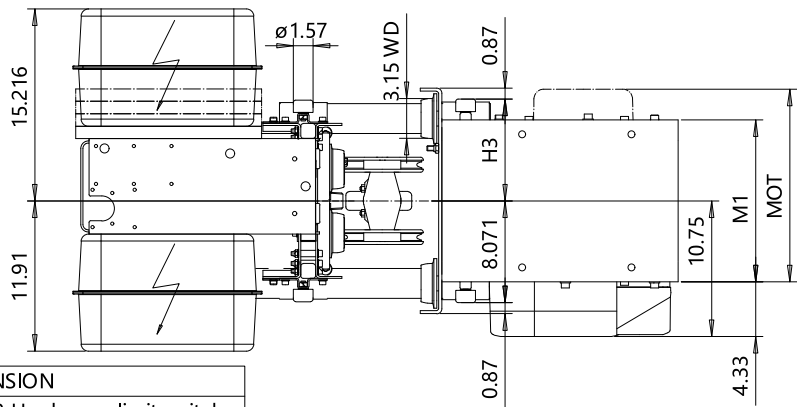
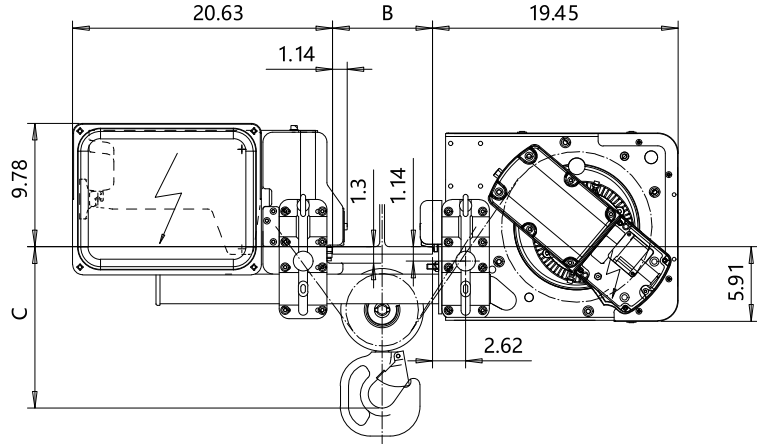
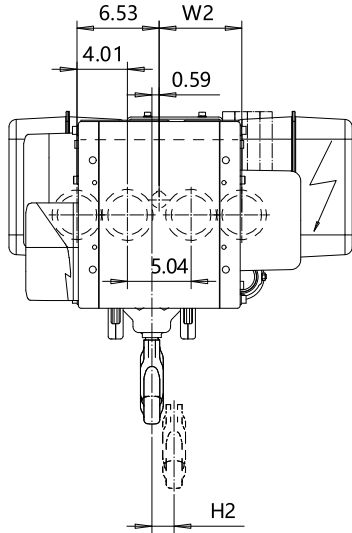
LOW HEADROOM, 4 PART SINGLE

Hoist type:

SX2 041..L0

SX3 041..L0

US-60Hz



HEADROOM TABLE - C DIMENSION		
Flange Width, B (in)	Headroom, C (in)	with HS22 Hook oper limit switch (in)
3.1 - 10.62	16 1/8	19 1/8
10.67 - 12.62	15	18
12.64 - 14.56	16 1/8	19 1/8
14.6 - 16.14	17 1/8	19 1/8
16.18 - 18.11	18 5/16	19 1/8
18.15 - 20.08	19 1/2	19 1/2
20.12 - 22.05	20 5/8	20 5/8
22.09 - 24.02	21 7/8	21 7/8
24.06 - 26	23	23
26.02 - 27.17	24	24

Headroom is related to the flange width

HOL (ft)	Length code	M1 (inch)	H2 (inch)	H3 (inch)	W2 (inch)	Approx Weight (lb)
19'-8"	A	12.83	1.77	8	6.54	397
31'-2"	C	17.95	2.83	10.63	9.09	441

Load (ton)	Class ASME
1 1/2	H4 +
2	H4
2 1/2	H4 +
3	H4

Motor	P1	P2	P3	A3	S3
MOT (in)	15.2	17.6	18.7	17.6	20.7
Weight (lb)	46	68	77	71	62

Approx. weight calculated with P1 motor.

This document is the absolute property of R&M Materials Handling, Inc. This document must not be copied without the written permission of R&M Materials Handling, Inc. The contents thereof must not be disclosed to a third party nor be used for any unauthorized purpose. Contravention will be prosecuted.

Design	Chd	Appd	Ref Drawing	QA-L-04
Date	TROLLEY; LOW HEADROOM			1.65
SLEQMECE Owner Dept	4 ROPE FALLS			For Mar
R&M MATERIALS HANDLING INC.	R&M MATERIALS HANDLING, INC. HOIST & CRANE PRODUCTS SPRINGFIELD OHIO			Issue 9
D002080-A				