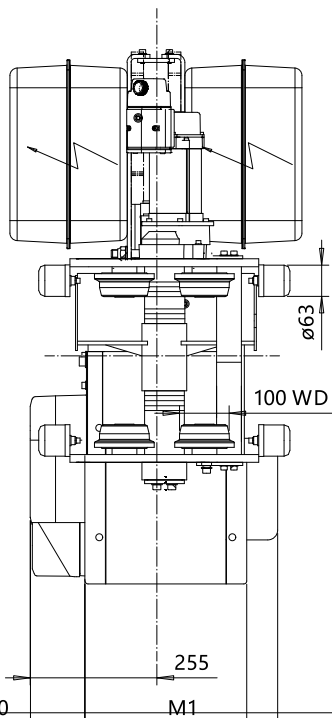
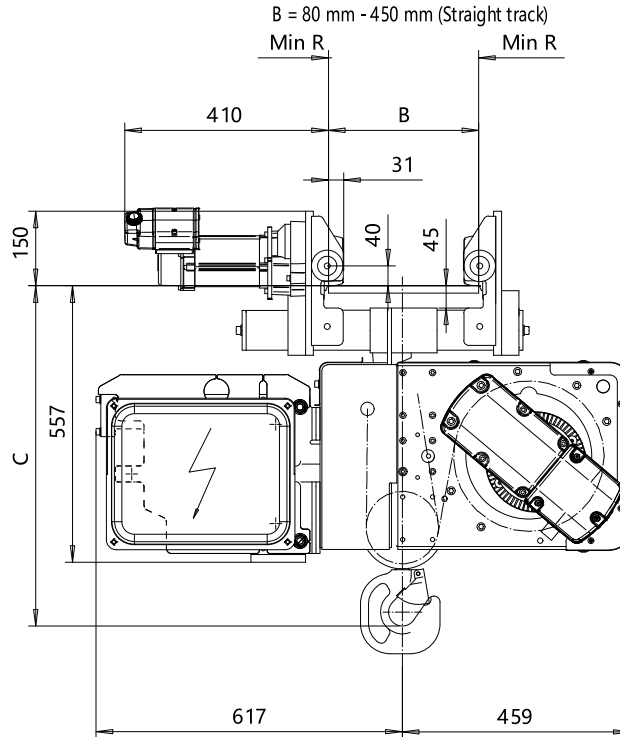
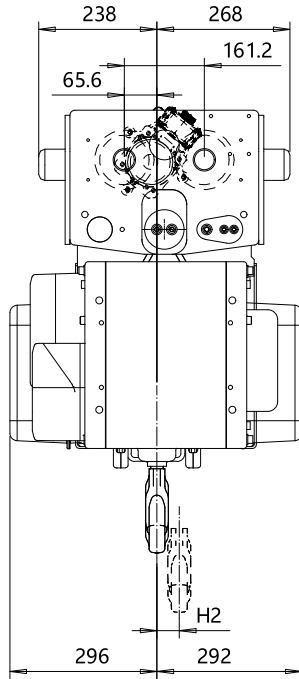


NORMAL HEADROOM, 4 PART SINGLE

Hoist type:
 SX204 1..N0
 SX304 1..N0

SI



Motor	P1	P2	P3	A3	S3
MOT (mm)	385	446	476	446	526
Weight (kg)	21	31	35	32	28

Minimum Radius Curve	
Flange, B (mm)	Min R (mm)
80 - 109	2500
110 - 119	2000
120 - 450	1500

Headroom - C dimension	
Standard	730 mm
with HS22 Hook operated limit switch	830 mm

HOL (m)	Length code	H2 (mm)	M1 (mm)	Approx Weight (kg)
6	A	45	326	260
9.5	C	72	456	300

Load (kg)	Class Fem/ISO
1600	3m/M6
2000	2m/M5
2500	3m/M6
3200	2m/M5

1					ETTPAL	ETTPAL	QA-N-04
3	SI-60HZ hoisting speeds added	2002-08-26	ETTPAL		Design	Chk	
4	Hoist gear and motor connection H+P3 added	2003-10-10	ETTTAV		2002-08-26	Appt	Ref Drawing
5	Trolley and beams updated	2004-04-21	ETTTLE		Date	TROLLEY; NORMAL HEADROOM	
		2005-05-16	ETTVPH		Owner/Dept	4 ROPE FALLS	
Apprx. weight calculated with P1 motor				SLEDOCV Owner/Dept		1:63 Toler	
This document is the absolute property of R&M Materials Handling, Inc. This document must not be copied without the written permission of R&M Materials Handling, Inc. The contents thereof must not be disclosed to a third party nor be used for any unauthorized purpose. Contravention will be prosecuted.				R&M MATERIALS HANDLING INC.		R&M MATERIALS HANDLING, INC. HOIST & CRANE PRODUCTS SPRINGFIELD, OHIO	
				D002082-A		12	