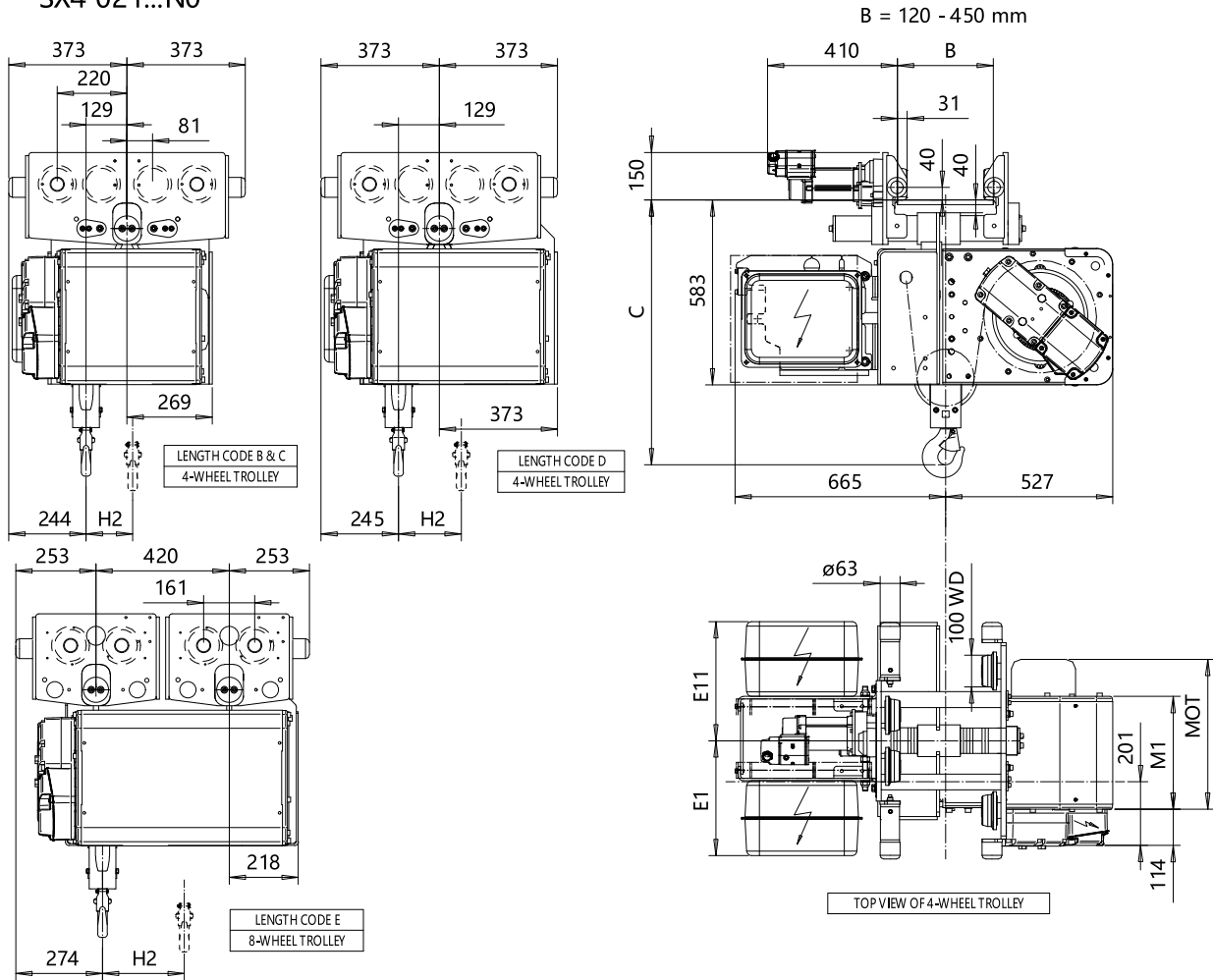


NORMAL HEADROOM, 2 PART SINGLE

Hoist type:

SX4 021...N0

SI



Headroom - C dimension	
Standard	968 mm
with HS22 Hook operated limit switch	978 mm

Motor	P3	P4	A3	S3	S5
MOT (mm)	476	574	446	526	602
Weight (kg)	35	53	32	28	53

HOL	Length	E1	E11	H2	M1	Approx Weight
(m)	code	(mm)	(mm)	(mm)	(mm)	(kg)
12	B	362	376	98	356	403
18	C	362	376	147	456	443
24	D	362	376	198	556	473
30	E	184	554	258	676	533

Load	Class
(kg)	Fem/ISO
1600	3m/M6
2000	3m/M6
2500	2m/M5

This document is the absolute property of R&M Materials Handling, Inc. This document must not be copied without the written permission of R&M Materials Handling, Inc. The contents thereof must not be disclosed to a third party nor be used for any unauthorized purpose. Contravention will be prosecuted.

ETPAL Design	ETPAL Chd	Appd	Ref Drawing	QB-N-02
2002-08-27 Date	TROLLEY; NORMAL HEADROOM			1:10
SLEQDOCV Owner Dept	2 ROPE FALLS			FoMar
R&M MATERIALS HANDLING INC.	R&M MATERIALS HANDLING, INC. HOIST & CRANE PRODUCTS SPRINGFIELD, OHIO	D002090-A		Issue 10