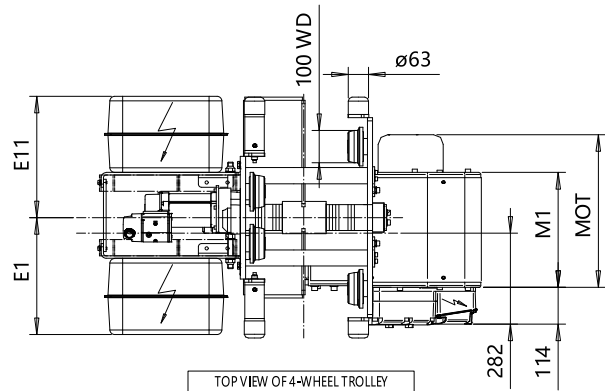
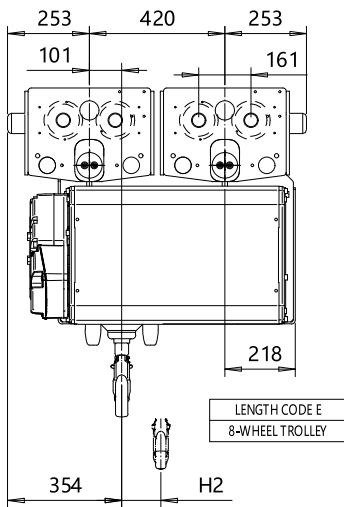
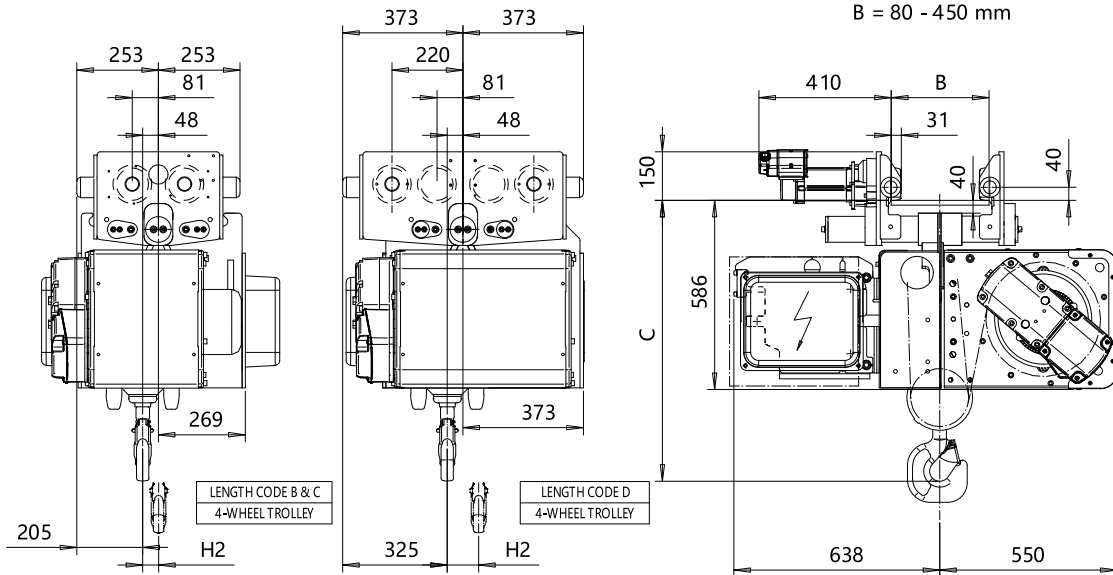


NORMAL HEADROOM, 4 PART SINGLE
Hoist type:
SX4 041...N0

SI



Headroom - C dimension	
Standard	960 mm
with HS22 Hook operated limit switch	960 mm

Motor	P3	P4	A3	S3	S5
MOT (mm)	476	574	446	526	602
Weight (kg)	35	53	32	28	53

HOL (m)	Length code	E1 (mm)	E11 (mm)	H2 (mm)	M1 (mm)	Approx Weight (kg)
6	B	362	376	49	356	523
9	C	362	376	73	456	543
12	D	362	376	97	556	583
15	E	213	525	121	676	593

Load (kg)	Class
4000	3m/M6
5000	2m/M5

This document is the absolute property of R&M Materials Handling, Inc. This document must not be copied without the written permission of R&M Materials Handling, Inc. The contents thereof must not be disclosed to a third party nor be used for any unauthorized purpose. Contravention will be prosecuted.

ETPAL Design 2002-08-28 Date	ETPAL Chd Appd	Ref Drawing	QB-N-04
SLEQDOCV Owner Dept	TROLLEY; NORMAL HEADROOM 4 ROPE FALLS		1:10 FoMar
R&M MATERIALS HANDLING, INC. HOIST & CRANE PRODUCTS SPRINGFIELD OHIO	D002097-A		Issue 10