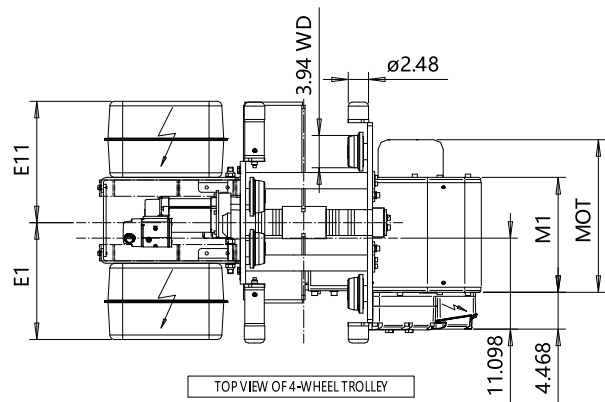
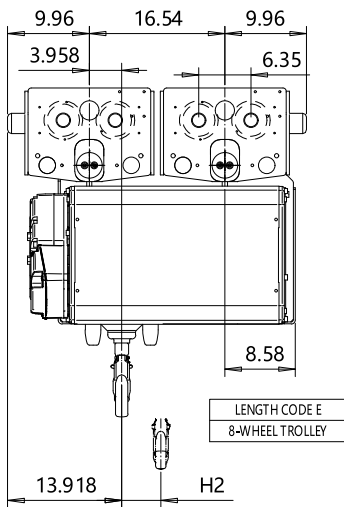
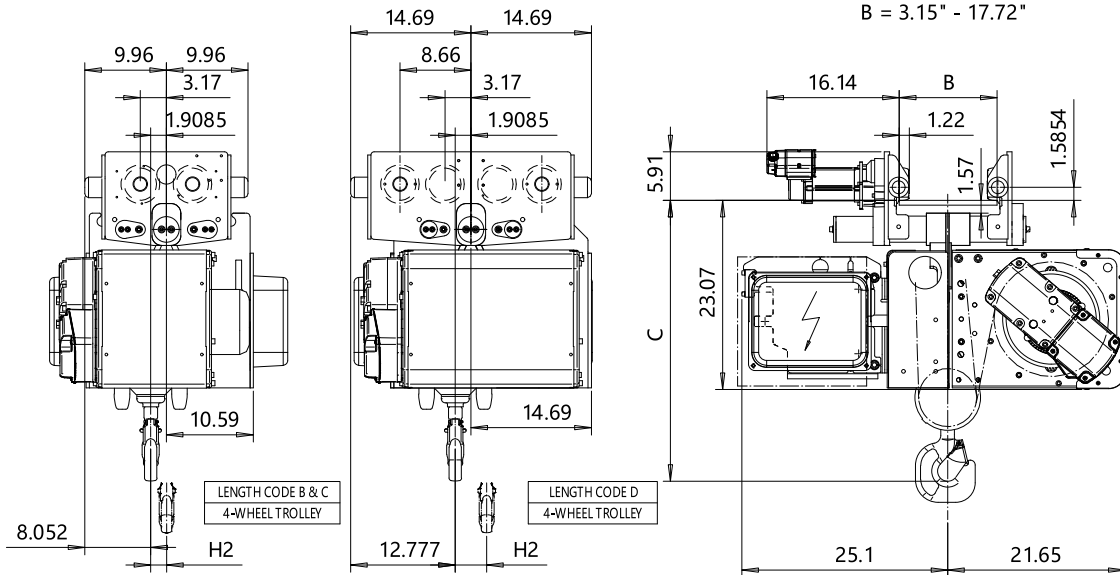


**NORMAL HEADROOM, 4 PART SINGLE**  
**Hoist type:**  
**SX4 041...N0**

**US-60Hz**



Headroom - C dimension	
Standard	37 13/16"
with HS22 Hook operated limit switch	37 13/16"

Motor	P3	P4	A3	S3	S5
MOT (in)	18.7	22.6	17.6	20.7	23.7
Weight (lb)	77	117	71	62	117

HOL (ft)	Length code	E1 (inch)	E11 (inch)	H2 (inch)	M1 (inch)	Approx. Weight (lb)
19'-8"	B	14.25	14.8	1.92	14.03	1153
29'-6"	C	14.25	14.8	2.87	17.95	1197
39'-4"	D	14.25	14.8	3.81	21.89	1285
49'-2"	E	8.38	20.68	4.76	26.61	1307

Load (TON)	Class
4	H4 +
5	H4

This document is the absolute property of R&M Materials Handling, Inc. This document must not be copied without the written permission of R&M Materials Handling, Inc. The contents thereof must not be disclosed to a third party nor be used for any unauthorized purpose. Contravention will be prosecuted.

ETPAL Design	ETPAL Chd	Appd	Ref Drawing	QB-N-04
2002-08-28	TROLLEY; NORMAL HEADROOM			
SLEQDOCV	4 ROPE FALLS			
Owner Dept	D002097-A			
R&M MATERIALS HANDLING, INC.	ISSUE			
10/11/10	10			