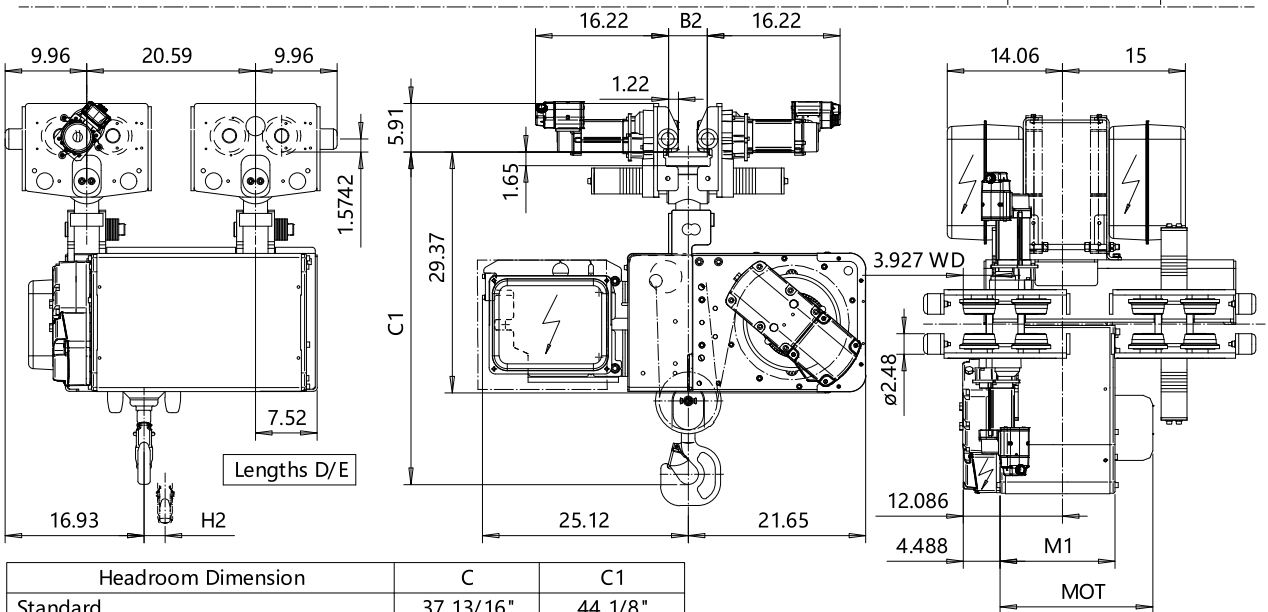
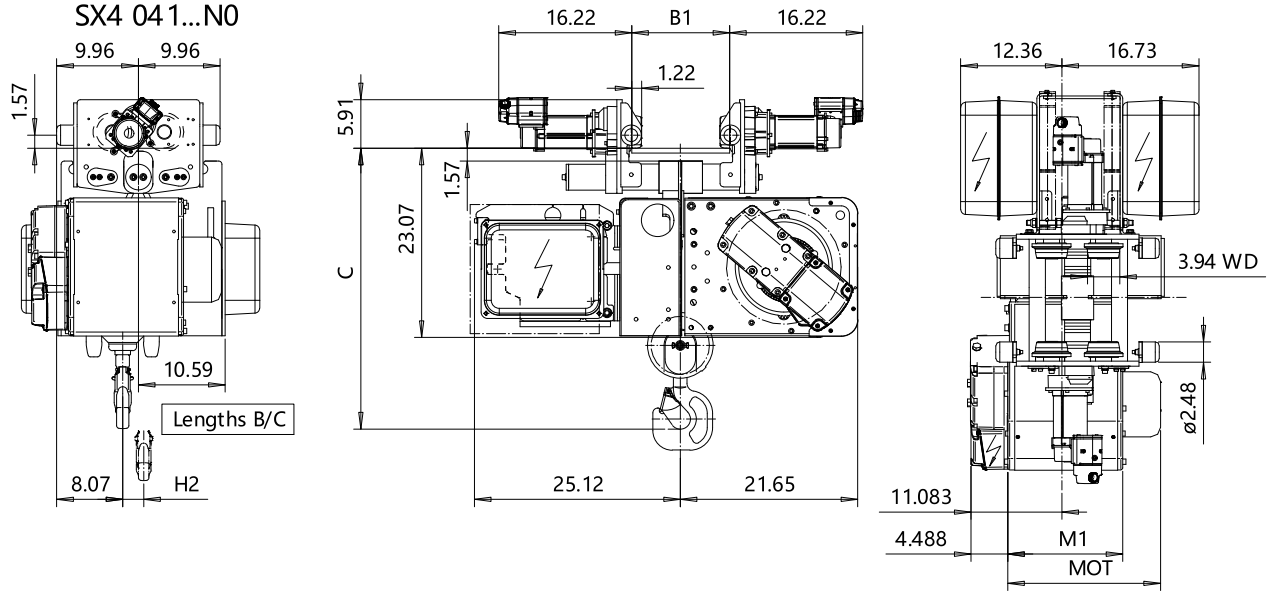


### NORMAL HEADROOM, CURVED TRACK; 4 PART SINGLE

Hoist type:

SX4 041...N0

US-60Hz



Headroom Dimension	C	C1
Standard	37 13/16"	44 1/8"
with HS22 Hook operated limit switch	37 13/16"	44 1/8"

Motor	P3	P4	A3	S3	S5
MOT (in)	18.7	22.6	17.6	20.7	23.7
Weight (lb)	77	117	71	62	117

Load (TON)	Class ASME
3	H4 +
4	H4 +
5	H4

Hoist Dimensions				
HOL (ft)	Length code	H2 (inch)	M1 (inch)	Approx Weight (lb)
19'-8"	B	1.92	14.03	911
29'-6"	C	2.87	17.95	999
39'-4"	D	3.81	21.89	1329
49'-2"	E	4.76	26.62	1362

Track Radius		
Flange B1	Flange B2	R min
3.15 - 4.29	3.54 - 4.29	8'-2 7/16"
4.33 - 4.68	4.33 - 4.68	6'-6 3/4"
4.72 - 17.7	4.72 - 13.78	4'-11 1/16"

This document is the absolute property of R&M Materials Handling, Inc. This document must not be copied without the written permission of R&M Materials Handling, Inc. The contents thereof must not be disclosed to a third party nor be used for any unauthorized purpose. Contravention will be prosecuted.

ETVPH Design 2004-12-23 Date	ETVPH Chd	Appd	Ref Drawing	QB-N-04
SLEDDOCV Owner Dept	TROLLEY; NORMAL HEADROOM CURVED TRACK; 4 ROPE FALLS			1:10 Fo-Mbr
R&M MATERIALS HANDLING INC.	R&M MATERIALS HANDLING, INC. HOIST & CRANE PRODUCTS SPRINGFIELD, OHIO			Issue 6
D003841-A				