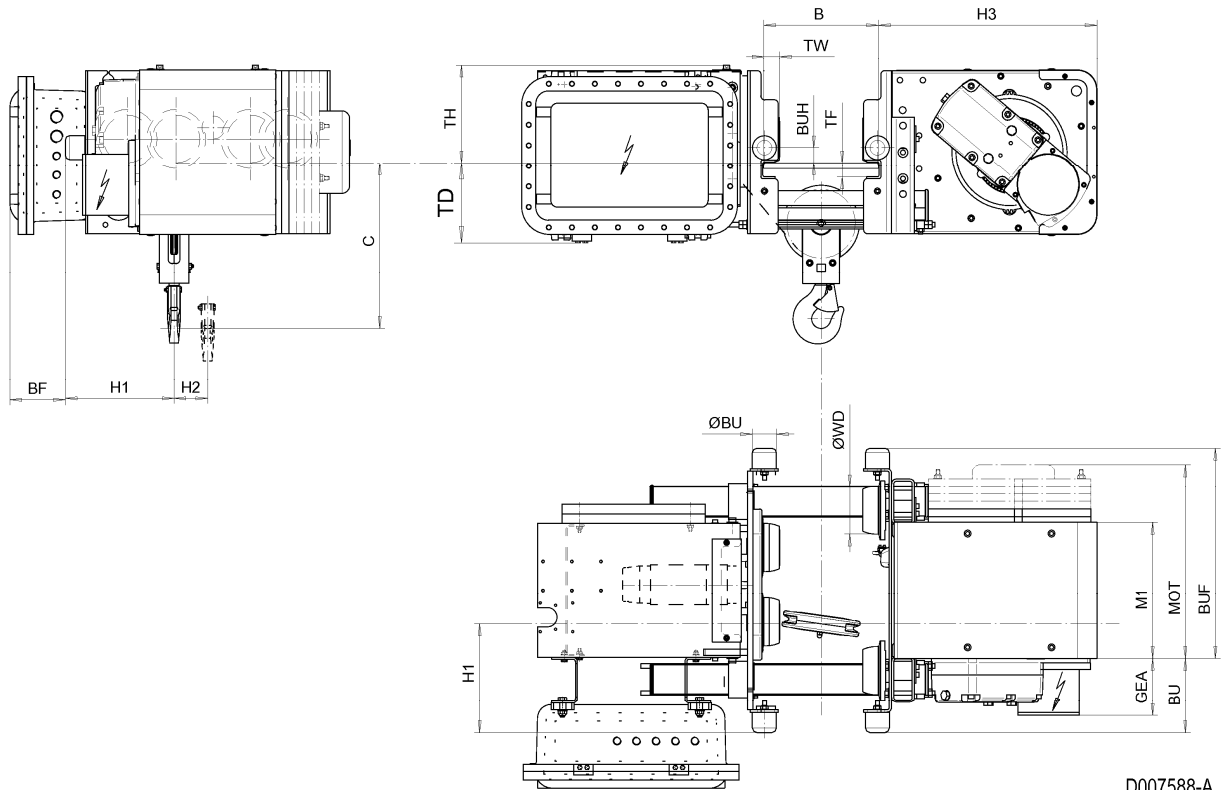


Low Headroom Hoist EXSX4, REEVING: 021; Class I, Division 2



D007588-A

Hoist dimensions

HOL ft	Length code	M1 inch	H1 inch	H2 inch	H3 inch	H3* inch	H4 inch	BUF inch	Weight lb
39'-4"	B	14.02	11.22	3.74	22.56	23.19	25	21.69	1407
59'-1"	C	17.95	11.22	5.67	22.56	23.19	25	25.63	1458
78'-9"	D	21.89	11.22	7.6	22.56	23.19	25	29.57	1435

Motor dimensions

Motor	P1	P3
MOT (inch)	15.2	18.62
Weight (lb)	46	77

Traveling dimensions

Motor	MF06LA
Weight (lb)	17

Trolley dimensions

B min.	B max.	ØWD	ØBU	BF	BU	BUH	GEA	TD	TF	TH	TW
3.94	19.29	4.92	2.48	5.71	7.68	1.57	5.91	8.23	1.46	10.04	1.63

D007588-A
251755

C-dimensions

B	C
3.94 - 9.84	17.32
9.88 - 11.81	18.5
11.85 - 13.78	19.88
13.82 - 15.75	21.06
15.79 - 17.72	22.44
17.76 - 19.29	23.43

Note: All dimensions in inch.

Note: Weight calculated with P1 and MF06LA motors when B=11.8 inch.

* Please, disregard the dimension H3*.