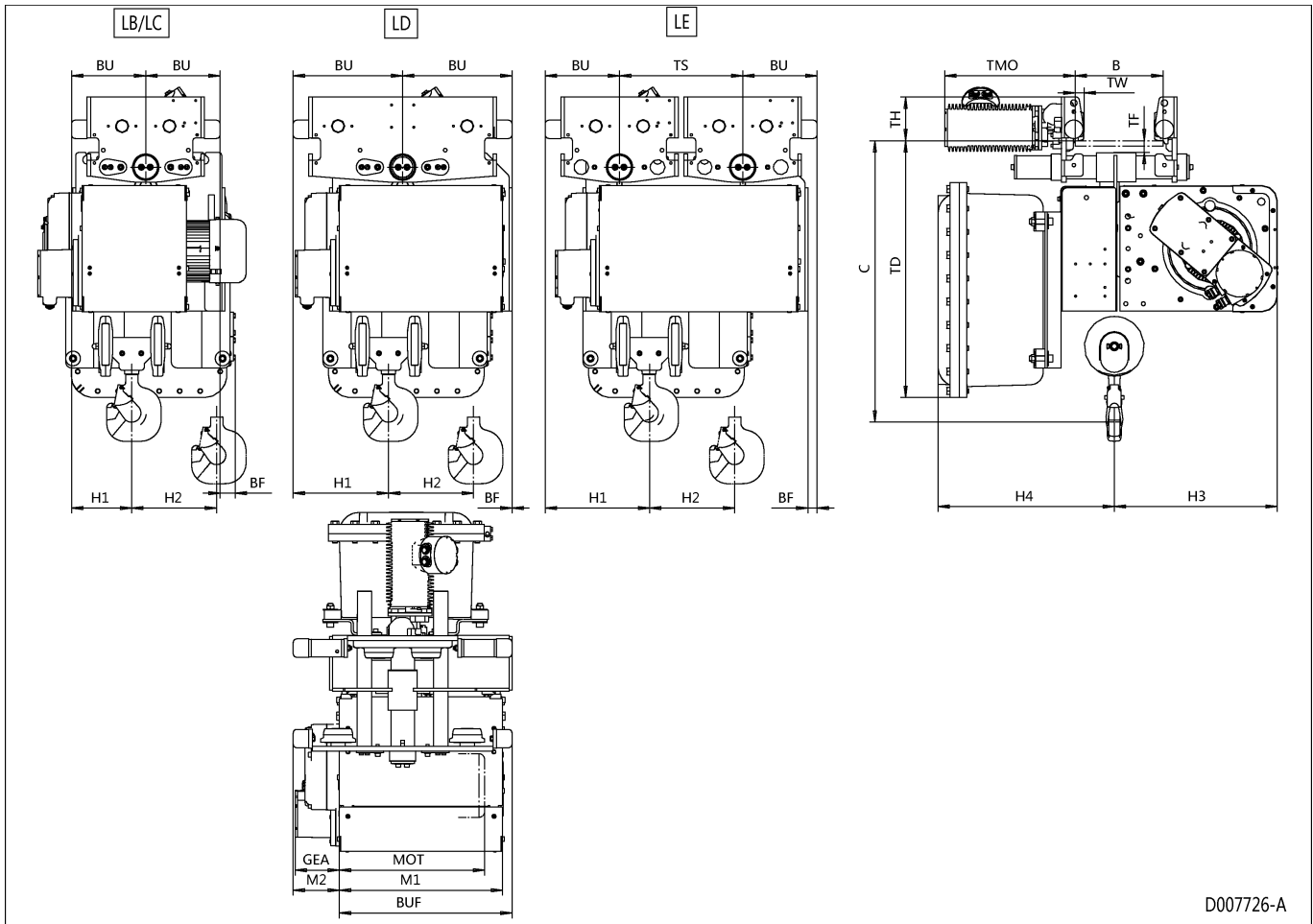


Normal Headroom Hoist EXSX4, REEVING: 041; Class I, Division 1



D007726-A

**Hoist dimensions**

HOL m	Length code	M1 mm	M2 mm	BUF mm	H1 mm	H2 mm	H3 mm	H3* mm	H4 mm	Weight kg
6	B	366	37	588	205	49	549	565	606	570
9	C	456	37	588	205	73	549	565	606	595
12	D	556	158	588	325	97	549	565	606	625
15	E	676	187	739	354	121	549	565	606	690

**Motor dimensions**

Motor	E1	E2
MOT (mm)	565	565
Weight (kg)	70	70

**Travelling dimensions**

Motor	MF07E
TMO (mm)	445
Weight (kg)	13

**Trolley dimensions**

B min	B max	C	ØWD	ØBU	BUH	GEA	TD	TF	TH	TW
80	450	870	100	63	40	151	876	40	150	33

Length code	BF	BU	TS
B/C	52	253	-
D	0	373	-
E	31	253	420