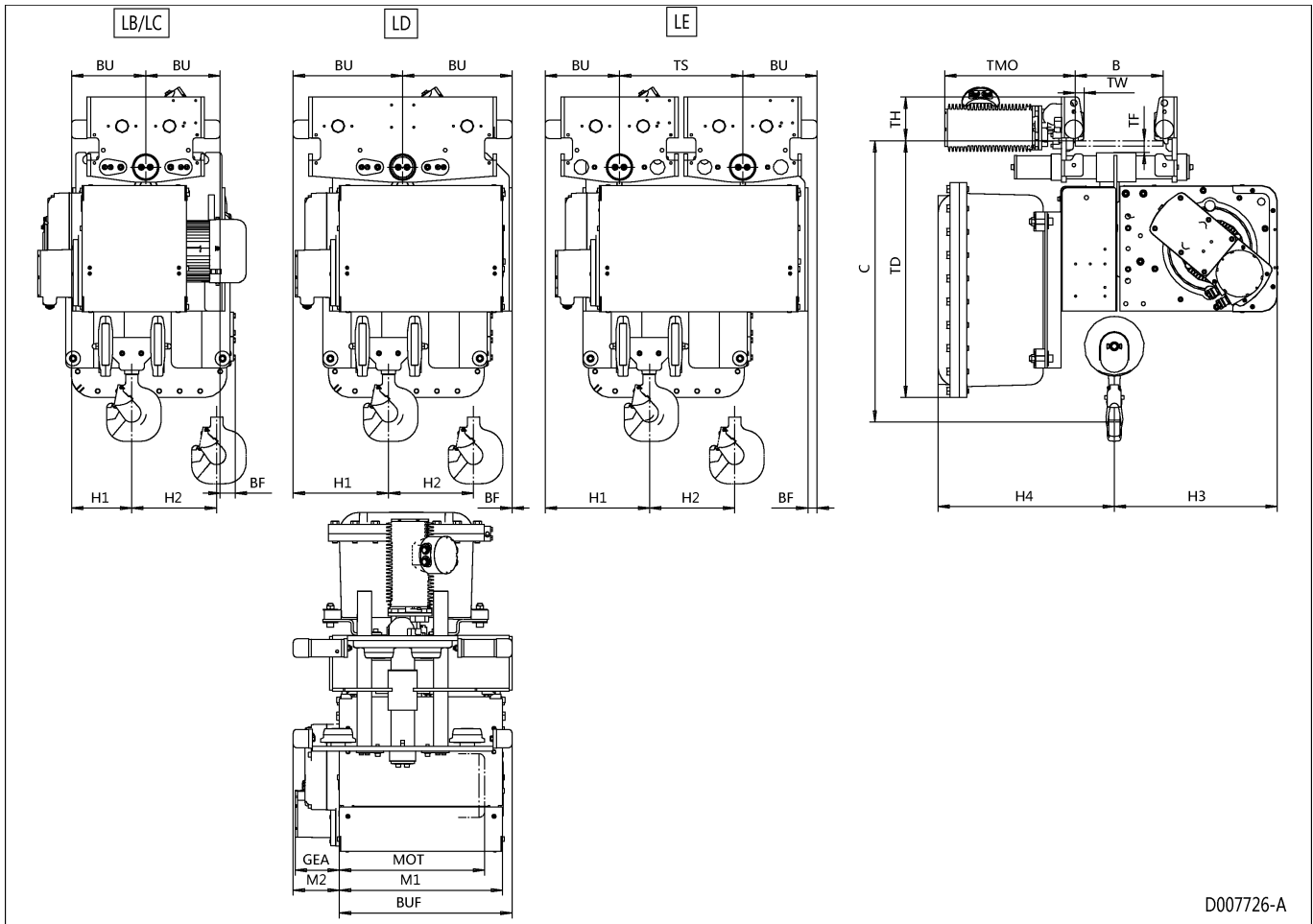


Normal Headroom Hoist EXSX4, REEVING: 041; Class I, Division 1



D007726-A

Hoist dimensions

HOL ft	Length code	M1 Inch	M2 Inch	BUF Inch	H1 Inch	H2 Inch	H3 Inch	H3* Inch	H4 Inch	Weight lb
19'-8"	B	14.02	1.46	23.15	8.07	1.93	21.61	22.24	23.86	1257
29'-6"	C	17.95	1.46	23.15	8.07	2.87	21.61	22.24	23.86	1312
39'-4"	D	21.89	6.22	23.15	12.8	3.82	21.61	22.24	23.86	1378
49'-3"	E	26.61	7.36	29.09	13.94	4.76	21.61	22.24	23.86	1521

Motor dimensions

Motor	E1	E2
MOT (Inch)	22.24	22.24
Weight (lb)	154	154

Traveling dimensions

Motor	MF07E
TMO (Inch)	17.52
Weight (lb)	29

Trolley dimensions

B min	B max	C	ØWD	ØBU	BUH	GEA	TD	TF	TH	TW
3.15	17.72	34.25	3.94	2.48	1.57	5.94	34.49	1.57	5.91	1.3

Length code	BF	BU	TS
B/C	2.05	9.96	-
D	0	14.69	-
E	1.22	9.96	16.54