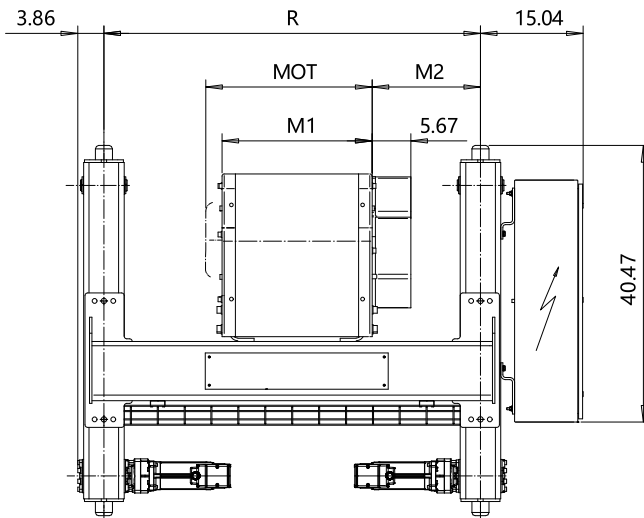
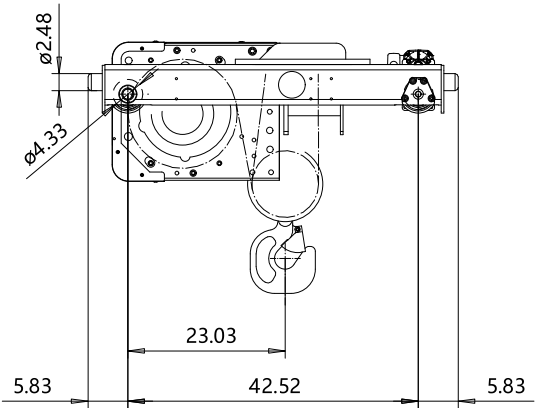
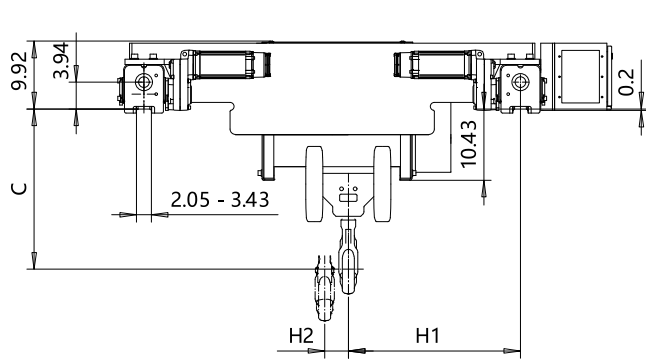


DOUBLE GIRDER, LOW CLEARANCE, 4 PART SINGLE
Hoist type:
SX5 041...DL

US-60Hz



Motor	P5	P6	P7	A5	S5	S7
MOT (in)	22.76	22.76	24.33	19.61	23.86	29.8
Weight (lb)	128	187	231	99	117	179

HOL (ft)	Length code	M1 (inch)	M2 (inch)	H1 (inch)	H2 (inch)	Min R	Approx Weight (lb)
29'-6"	D	21.97	15.87	25.2	3.46	4'-7 1/8"	1477
39'-4"	E	26.69	15.87	25.2	4.64	4'-7 1/8"	1543
52'-5"	F	32.6	20.31	29.65	6.14	5'-6 7/8"	1642
65'-7"	G	40.08	26.22	35.55	7.91	6'-6 3/4"	1731

Load (ton)	Class ASME
5	H4 +
6	H4 +
7 1/2	H4 +
10	H4

Headroom - C dimension	
Standard	23 13/16"
with HS22 Hook operated limit switch	25 7/16"

Note: minR is minimum rail gauge when second brake is supplied
 Standard rail gauges are 4'-7 1/8", 5'-6 7/8", and 6'-6 3/4"
 Approx weight calculated with P5 motor

This document is the absolute property of R&M Materials Handling, Inc. This document must not be copied without the written permission of R&M Materials Handling, Inc. The contents thereof must not be disclosed to a third party nor be used for any unauthorized purpose. Contravention will be prosecuted.

ETPAL Design	ETPAL Chd	Appd	Ref Drawing	QC-L-04
2002-08-29 Date	TROLLEY; DOUBLE GIRDER			
SLEQDOCV Owner Dept	LOW, 4 ROPE FALLS			
R&M MATERIALS HANDLING INC	D002121-A			
R&M MATERIALS HANDLING INC	HOIST & CRANE PRODUCTS SPRINGFIELD OHIO			
1:12	Issue 11			