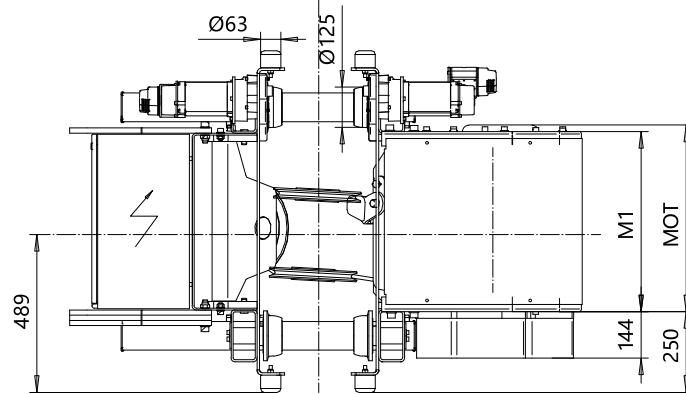
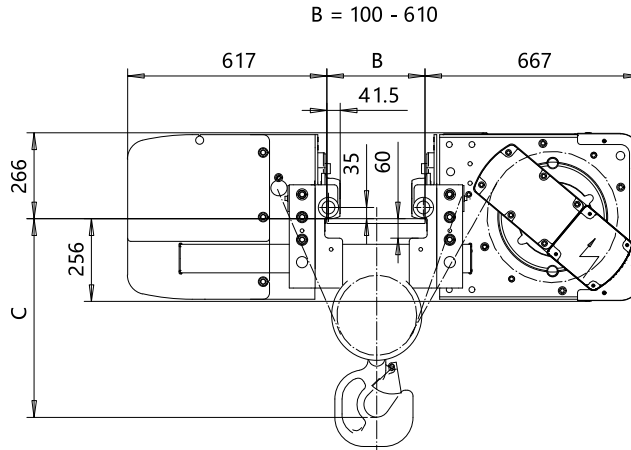
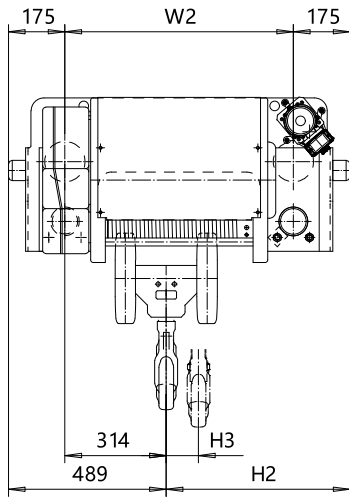


LOW HEADROOM, 4 PART SINGLE
Hoist type:
SX5 041...L0

SI



Load (kg)	Class Fem/ISO
5000	3m/M6
6300	3m/M6
8000	3m/M6
10000	2m/M5

Motor	P5	P6	P7	A5	S5	S7
MOT (mm)	578	578	618	498	606	757
Weight (kg)	58	85	105	45	53	81

HEADROOM TABLE - C DIMENSION		
Flange Width, B (mm)	Standard (mm)	with HS22 Hook oper limit switch (mm)
100 - 199	710	790
200 - 289	690	770
290 - 530	600	770
531 - 610	650	690

Headroom is related to the flange width

HOL (m)	Length code	M1 (mm)	H2 (mm)	H3 (mm)	W2 (mm)	Approx Weight (kg)
9	D	558	647	88	708	610
12	E	678	767	118	828	660
16	F	828	946	156	978	710

Approx. Weight calculated with P5 motor.

This document is the absolute property of R&M Materials Handling, Inc. This document must not be copied without the written permission of R&M Materials Handling, Inc. The contents thereof must not be disclosed to a third party nor be used for any unauthorized purpose. Contravention will be prosecuted.

ETPAL Design	ETPAL Chd	Appd	Ref Drawing	QC-L-04
2002-08-29 Date	TROLLEY; LOW HEADROOM			1:10
SLEDDOCV Owner Dept	4 ROPE FALLS			For Mar
R&M MATERIALS HANDLING INC.	R&M MATERIALS HANDLING INC. HOIST & CRANE PRODUCTS SPRINGFIELD, OHIO	D002117-A		Issue 7